

# Am29PL160C

Data Sheet



RETIRED  
PRODUCT

This product has been retired and is not recommended for designs. For new designs, S29GL016A supersedes Am29PL160C. Please refer to the S29GL-A family data sheet for specifications and ordering information. Availability of this document is retained for reference and historical purposes only.

The following document contains information on Spansion memory products.

## **Continuity of Specifications**

There is no change to this data sheet as a result of offering the device as a Spansion product. Any changes that have been made are the result of normal data sheet improvement and are noted in the document revision summary.

## **For More Information**

Please contact your local sales office for additional information about Spansion memory solutions.



**THIS PAGE LEFT INTENTIONALLY BLANK.**

# Am29PL160C

16 Megabit (2 M x 8-Bit/1 M x 16-Bit)

CMOS 3.0 Volt-only High Performance Page Mode Flash Memory

This product has been retired and is not recommended for designs. For new designs, S29GL016A supersedes Am29PL160C. Please refer to the S29GL-A family data sheet for specifications and ordering information. Availability of this document is retained for reference and historical purposes only.

## DISTINCTIVE CHARACTERISTICS

### ■ 16 Mbit Page Mode device

- Byte (8-bit) or word (16-bit) mode selectable via BYTE# pin
- Page size of 16 bytes/8 words: Fast page read access from random locations within the page

### ■ Single power supply operation

- Full voltage range: 2.7 to 3.6 volt read and write operations for battery-powered applications
- Regulated voltage range: 3.0 to 3.6 volt read and write operations and for compatibility with high performance 3.3 volt microprocessors

### ■ 5 V-tolerant data, address, and control signals

### ■ High performance read access times

- Page access times as fast as 25 ns at industrial temperature range
- Random access times as fast as 65 ns

### ■ Power consumption (typical values at 5 MHz)

- 30 mA read current
- 20 mA program/erase current
- 1  $\mu$ A standby mode current
- 1  $\mu$ A Automatic Sleep mode current

### ■ Flexible sector architecture

- Sector sizes: One 16 Kbyte, two 8 Kbyte, one 224 Kbyte, and seven sectors of 256 Kbytes each
- Supports full chip erase

### ■ Bottom boot block configuration only

### ■ Sector Protection

- A hardware method of locking a sector to prevent any program or erase operations within that sector
- Sectors can be locked via programming equipment
- Temporary Sector Unprotect command sequence allows code changes in previously locked sectors

### ■ Minimum 1 million write cycles guarantee per sector

### ■ 20-year data retention

### ■ Manufactured on 0.32 $\mu$ m process technology

### ■ Software command-set compatible with JEDEC standard

- Backward compatible with Am29F and Am29LV families

### ■ CFI (Common Flash Interface) compliant

- Provides device-specific information to the system, allowing host software to easily reconfigure for different Flash devices

### ■ Unlock Bypass Program Command

- Reduces overall programming time when issuing multiple program command sequences

### ■ Erase Suspend/Erase Resume

- Suspends an erase operation to read data from, or program data to, a sector that is not being erased, then resumes the erase operation

### ■ Package Options

- 44-pin SO (mask-ROM compatible pinout)
- 48-pin TSOP

## GENERAL DESCRIPTION

The Am29PL160C is a 16 Mbit, 3.0 Volt-only Page mode Flash memory device organized as 2,097,152 bytes or 1,048,576 words. The device is offered in a 44-pin SO or a 48-pin TSOP package. The word-wide data (x16) appears on DQ15–DQ0; the byte-wide (x8) data appears on DQ7–DQ0. This device can be programmed in-system or with in standard EPROM programmers. A 12.0 V  $V_{PP}$  or 5.0  $V_{CC}$  are not required for write or erase operations.

The device offers access times of 65, 70, and 90 ns, allowing high speed microprocessors to operate without wait states. To eliminate bus contention the device has separate chip enable (CE#), write enable (WE#), and output enable (OE#) controls.

The sector sizes are as follows: one 16 Kbyte, two 8 Kbyte, one 224 Kbyte and seven sectors of 256 Kbytes each. The device is available in both top and bottom boot versions.

### Page Mode Features

The device is AC timing, pinout, and package **compatible with 16 Mbit x 16 page mode Mask ROM**. The page size is 8 words or 16 bytes.

After initial page access is accomplished, the page mode operation provides fast read access speed of random locations within that page.

### Standard Flash Memory Features

The device requires only a **single 3.0 volt power supply** for both read and write functions. Internally generated and regulated voltages are provided for the program and erase operations.

The device is entirely command set compatible with the **JEDEC single-power-supply Flash standard**. Commands are written to the command register using standard microprocessor write timings. Register contents serve as input to an internal state-machine that controls the erase and programming circuitry. Write cycles also internally latch addresses and data needed for the programming and erase operations. Reading data out of the device is similar to reading from other Flash or EPROM devices.

Device programming occurs by executing the program command sequence. This initiates the **Embedded Program** algorithm—an internal algorithm that

automatically times the program pulse widths and verifies proper cell margin. The **Unlock Bypass** mode facilitates faster programming times by requiring only two write cycles to program data instead of four.

Device erasure occurs by executing the erase command sequence. This initiates the **Embedded Erase** algorithm—an internal algorithm that automatically preprograms the array (if it is not already programmed) before executing the erase operation. During erase, the device automatically times the erase pulse widths and verifies proper cell margin.

The host system can detect whether a program or erase operation is complete by reading the DQ7 (Data# Polling) and DQ6 (toggle) **status bits**. After a program or erase cycle has been completed, the device is ready to read array data or accept another command.

The **sector erase architecture** allows memory sectors to be erased and reprogrammed without affecting the data contents of other sectors. The device is fully erased when shipped from the factory.

**Hardware data protection** measures include a low  $V_{CC}$  detector that automatically inhibits write operations during power transitions. The **hardware sector protection** feature disables both program and erase operations in any combination of the sectors of memory. This can be achieved in-system or via programming equipment.

The **Erase Suspend/Erase Resume** feature enables the user to put erase on hold for any period of time to read data from, or program data to, any sector that is not selected for erasure. True background erase can thus be achieved.

The device offers two power-saving features. When addresses have been stable for a specified amount of time, the device enters the **automatic sleep mode**. The system can also place the device into the **standby mode**. Power consumption is greatly reduced in both these modes.

AMD's Flash technology combines years of Flash memory manufacturing experience to produce the highest levels of quality, reliability and cost effectiveness. The device electrically erases all bits within a sector simultaneously via Fowler-Nordheim tunneling. The data is programmed using hot electron injection.

## TABLE OF CONTENTS

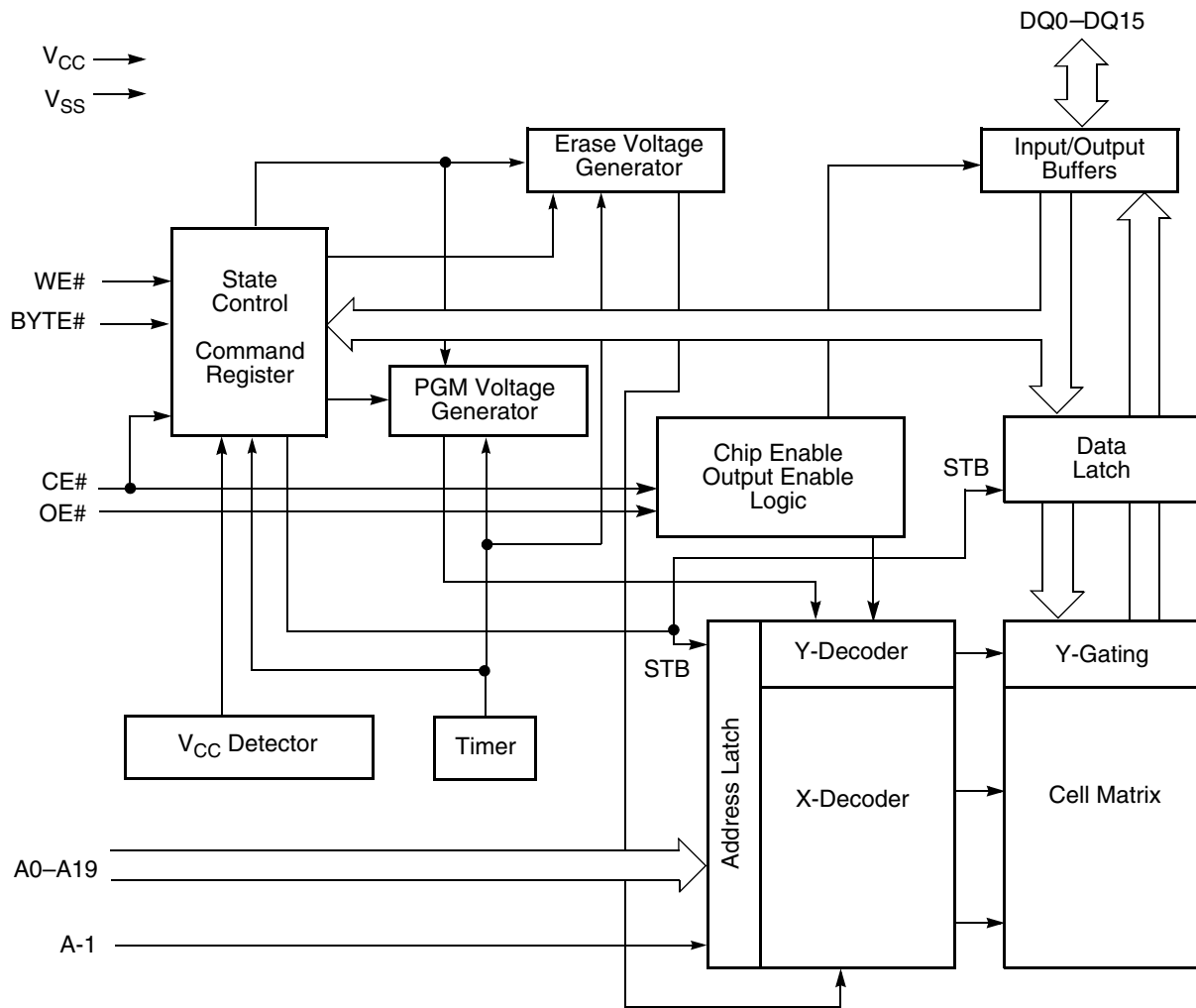
|  |    |   |    |
|--|----|---|----|
| <b>Product Selector Guide</b> .....                              | 4  | Figure 4. Toggle Bit Algorithm.....   | 23 |
| <b>Block Diagram</b> .....                                       | 4  | DQ3: Sector Erase Timer .....   | 23 |
| <b>Connection Diagrams</b> .....                                 | 5  | Table 11. Write Operation Status .....  | 24 |
| <b>Pin Configuration</b> .....                                   | 6  | <b>Absolute Maximum Ratings</b> .....   | 25 |
| <b>Logic Symbol</b> .....  | 6  | Figure 5. Maximum Negative Overshoot Waveform .....   | 25 |
| <b>Ordering Information</b> .....                                | 7  | Figure 6. Maximum Positive Overshoot Waveform.....  | 25 |
| <b>Device Bus Operations</b> .....                               | 8  | <b>Operating Ranges</b> .....   | 25 |
| Table 1. Am29PL160C Device Bus Operations .....                  | 8  | <b>DC Characteristics</b> .....   | 26 |
| Word/Byte Configuration .....                                    | 8  | Figure 7. I <sub>CC1</sub> Current vs. Time (Showing Active and Automatic<br>Sleep Currents)..... | 27 |
| Requirements for Reading Array Data .....                        | 8  | Figure 8. Typical I <sub>CC1</sub> vs. Frequency .....  | 27 |
| Read Mode .....  | 8  | <b>Test Conditions</b> .....  | 28 |
| Random Read (Non-Page Mode Read) .....                           | 8  | Figure 9. Test Setup.....   | 28 |
| Page Mode Read .....   | 9  | Table 12. Test Specifications .....   | 28 |
| Table 2. Word Mode .....   | 9  | <b>Key to Switching Waveforms</b> .....   | 28 |
| Table 3. Byte Mode .....   | 9  | Figure 10. Input Waveforms and Measurement Levels .....   | 28 |
| Writing Commands/Command Sequences .....                         | 10 | <b>AC Characteristics</b> .....   | 29 |
| Program and Erase Operation Status .....                         | 10 | Figure 11. Conventional Read Operations Timings .....   | 30 |
| Standby Mode .....   | 10 | Figure 12. Page Read Timings .....  | 30 |
| Automatic Sleep Mode .....                                       | 10 | Figure 13. BYTE# Timings for Read Operations.....   | 31 |
| Output Disable Mode .....  | 10 | Figure 14. BYTE# Timings for Write Operations.....  | 31 |
| Table 4. Sector Address Table, Bottom Boot (Am29PL160CB) .....   | 11 | Figure 15. Program Operation Timings.....   | 33 |
| Autoselect Mode .....  | 12 | Figure 16. AC Waveforms for Chip/Sector Erase Operations.....                                     | 34 |
| Table 5. Am29PL160C Autoselect Codes (High Voltage Method) ..... | 12 | Figure 17. Data# Polling Timings (During Embedded Algorithms). .....                              | 34 |
| Sector Protection/Unprotection .....                             | 12 | Figure 18. Toggle Bit Timings (During Embedded Algorithms).....                                   | 35 |
| <b>Common Flash Memory Interface (CFI)</b> .....                 | 13 | Figure 19. DQ2 vs. DQ6 for Erase and<br>Erase Suspend Operations.....                             | 35 |
| Table 6. CFI Query Identification String .....                   | 13 | Figure 20. Alternate CE# Controlled Write Operation Timings .....                                 | 37 |
| Table 7. System Interface String .....                           | 14 | <b>Erase and Programming Performance</b> .....  | 38 |
| Table 8. Device Geometry Definition .....                        | 14 | <b>Latchup Characteristics</b> .....  | 38 |
| Table 9. Primary Vendor-Specific Extended Query .....            | 15 | <b>TSOP and SO Pin Capacitance</b> .....  | 38 |
| <b>Hardware Data Protection</b> .....                            | 15 | <b>Data Retention</b> .....   | 38 |
| Low V <sub>CC</sub> Write Inhibit .....                          | 15 | <b>Physical Dimensions</b> .....  | 39 |
| Write Pulse "Glitch" Protection .....                            | 15 | TS 048—48-Pin Standard Thin Small Outline Package .....   | 39 |
| Logical Inhibit .....  | 15 | SO 044—44-Pin Small Outline Package, Standard Pinout .....  | 40 |
| Power-Up Write Inhibit .....                                     | 15 | <b>Revision Summary</b> .....   | 41 |
| <b>Command Definitions</b> .....                                 | 16 | Revision A (August 1998) .....  | 41 |
| Reading Array Data .....   | 16 | Revision A+1 (September 1998) .....   | 41 |
| Reset Command .....  | 16 | Revision B (January 1999) .....   | 41 |
| Autoselect Command Sequence .....                                | 16 | Revision B+1 (February 1999) .....  | 41 |
| Word/Byte Program Command Sequence .....                         | 16 | Revision B+2 (March 5, 1999) .....  | 41 |
| Unlock Bypass Command Sequence .....                             | 17 | Revision B+3 (May 14, 1999) .....   | 41 |
| Figure 1. Program Operation .....                                | 17 | Revision B+4 (June 25, 1999) .....  | 41 |
| Chip Erase Command Sequence .....                                | 17 | Revision B+5 (July 26, 1999) .....  | 41 |
| Sector Erase Command Sequence .....                              | 18 | Revision B+6 (September 2, 1999) .....  | 41 |
| Erase Suspend/Erase Resume Commands .....                        | 18 | Revision B+7 (February 4, 2000) .....   | 41 |
| Temporary Unprotect Enable/Disable Command Sequence .....        | 19 | Revision C (February 21, 2000) .....  | 41 |
| Figure 2. Erase Operation.....                                   | 19 | Revision C+1 (June 20, 2000) .....  | 41 |
| Command Definitions .....  | 20 | Revision C+2 (June 28, 2000) .....  | 41 |
| Table 10. Am29PL160C Command Definitions .....                   | 20 | Revision C+3 (November 14, 2000) .....  | 41 |
| <b>Write Operation Status</b> .....                              | 21 | Revision C+4 (June 12, 2002) .....  | 41 |
| DQ7: Data# Polling .....   | 21 | Revision C+5 (June 10, 2004) .....  | 41 |
| Figure 3. Data# Polling Algorithm .....                          | 21 | Revision C+6 (February 16, 2006) .....  | 41 |
| DQ6: Toggle Bit .....  | 22 | Revision C7 (May 9, 2006) .....   | 42 |
| DQ2: Toggle Bit .....  | 22 |   |    |
| Reading Toggle Bits DQ6/DQ2 .....                                | 22 |   |    |
| DQ5: Exceeded Timing Limits .....                                | 22 |   |    |

PRODUCT SELECTOR GUIDE

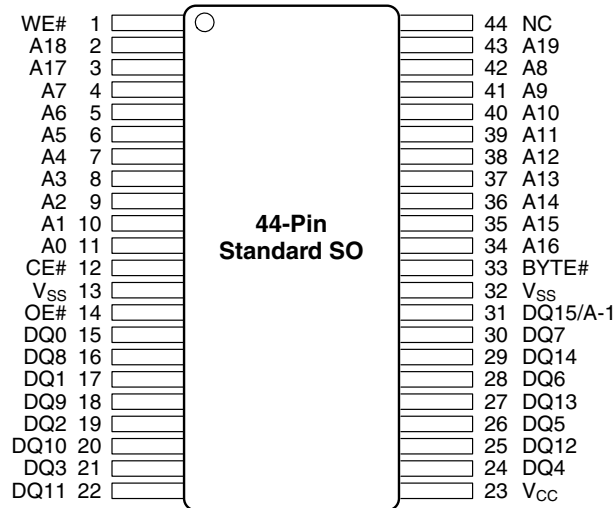
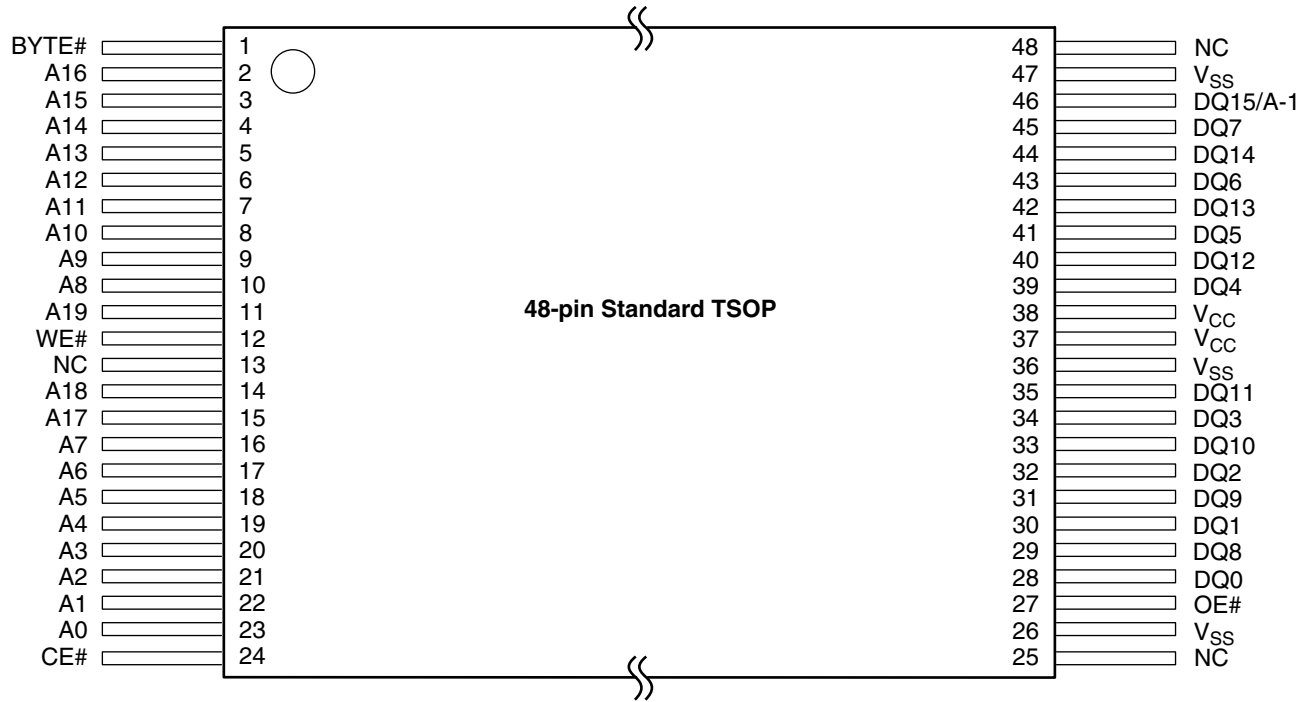
| Family Part Number                      |  | Am29PL160C |      |     |
|---|--|------------|------|-----|
| Speed Option                            | Regulated Voltage Range: $V_{CC} = 3.0\text{--}3.6\text{ V}$ | -65R       | -70R |     |
|   | Full Voltage Range: $V_{CC} = 2.7\text{--}3.6\text{ V}$      |            |      | -90 |
| Max access time, ns ( $t_{ACC}$ )       |  | 65         | 70   | 90  |
| Max CE# access time, ns ( $t_{CE}$ )    |  | 65         | 70   | 90  |
| Max page access time, ns ( $t_{PACC}$ ) |  | 25         | 25   | 30  |
| Max OE# access time, ns ( $t_{OE}$ )    |  | 25         | 25   | 30  |

Note: See "AC Characteristics" for full specifications.

BLOCK DIAGRAM



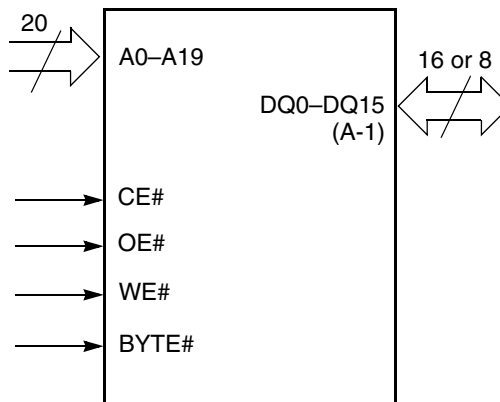
CONNECTION DIAGRAMS



**PIN CONFIGURATION**

- A0–A19 = 20 address inputs
- DQ0–DQ15 = 16 data inputs/outputs
- DQ15/A-1 = In word mode, functions as DQ15 (MSB data input/output)  
In byte mode, functions as A-1 (LSB address input)
- BYTE# = Byte enable input  
When low, enables byte mode  
When high, enables word mode
- CE# = Chip Enable input
- OE# = Output Enable input
- WE# = Write Enable input
- V<sub>CC</sub> = 3.0 volt-only single power supply  
(see Product Selector Guide for speed options and voltage supply tolerances)
- V<sub>SS</sub> = Device ground
- NC = Pin not connected internally

**LOGIC SYMBOL**

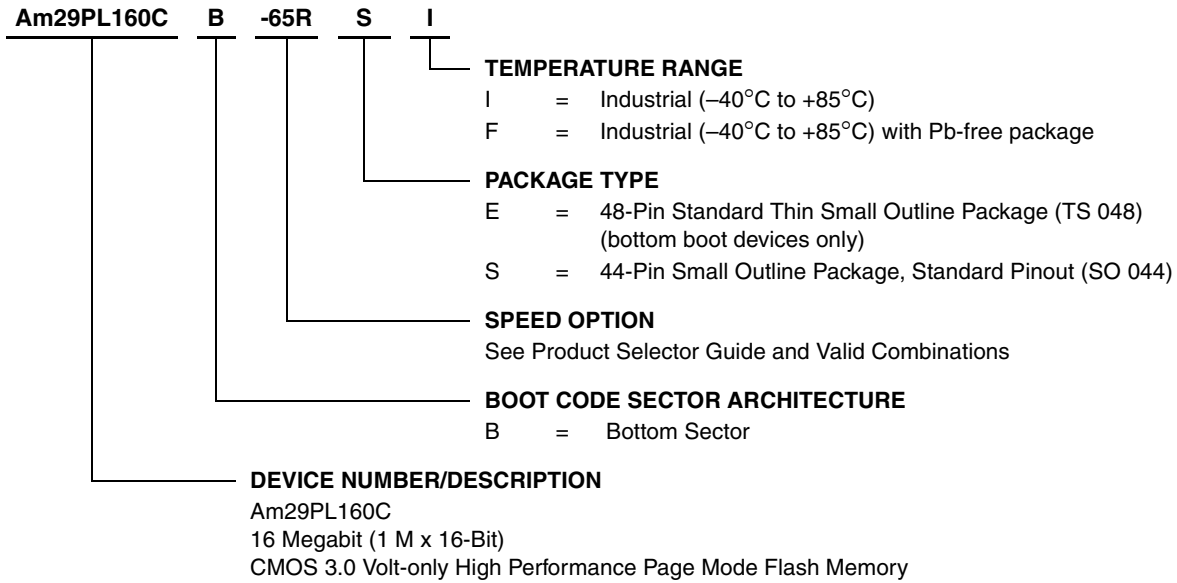




## ORDERING INFORMATION

### Standard Products

AMD standard products are available in several packages and operating ranges. The order number (Valid Combination) is formed by a combination of the elements below.



| Valid Combinations<br>(Bottom Boot) |                   | Voltage Range               |
|-------------------------------------|-------------------|-----------------------------|
| AM29PL160CB-65R                     | EI, SI,<br>EF, SF | V <sub>CC</sub> = 3.0–3.6 V |
| AM29PL160CB-70R                     |                   |                             |
| AM29PL160CB-90                      |                   | V <sub>CC</sub> = 2.7–3.6 V |

#### Valid Combinations

Valid Combinations list configurations planned to be supported in volume for this device. Consult the local AMD sales office to confirm availability of specific valid combinations and to check on newly released combinations.

## DEVICE BUS OPERATIONS

This section describes the requirements and use of the device bus operations, which are initiated through the internal command register. The command register itself does not occupy any addressable memory location. The register is composed of latches that store the commands, along with the address and data information needed to execute the command. The contents

of the register serve as inputs to the internal state machine. The state machine outputs dictate the function of the device. Table 1 lists the device bus operations, the inputs and control levels they require, and the resulting output. The following subsections describe each of these operations in further detail.

**Table 1. Am29PL160C Device Bus Operations**

| Operation      | CE#                        | OE# | WE# | Addresses<br>(Note 1) | DQ0–<br>DQ7      | DQ8–DQ15                   |                                  |
|----------------|----------------------------|-----|-----|-----------------------|------------------|----------------------------|----------------------------------|
|                |                            |     |     |                       |                  | BYTE#<br>= V <sub>IH</sub> | BYTE#<br>= V <sub>IL</sub>       |
| Read           | L                          | L   | H   | A <sub>IN</sub>       | D <sub>OUT</sub> | D <sub>OUT</sub>           | DQ8–DQ14 = High-Z,<br>DQ15 = A-1 |
| Write          | L                          | H   | L   | A <sub>IN</sub>       | D <sub>IN</sub>  | D <sub>IN</sub>            |                                  |
| Standby        | V <sub>CC</sub> ±<br>0.3 V | X   | X   | X                     | High-Z           | High-Z                     | High-Z                           |
| Output Disable | L                          | H   | H   | X                     | High-Z           | High-Z                     | High-Z                           |

### Legend:

L = Logic Low = V<sub>IL</sub>, H = Logic High = V<sub>IH</sub>, V<sub>ID</sub> = 12.0 ± 0.5 V, X = Don't Care, A<sub>IN</sub> = Address In, D<sub>IN</sub> = Data In, D<sub>OUT</sub> = Data Out

### Notes:

- Addresses are A19:A0 in word mode (BYTE# = V<sub>IH</sub>), A19:A-1 in byte mode (BYTE# = V<sub>IL</sub>).
- The sector protect and sector unprotect functions must be implemented via programming equipment. See the "Sector Protection/Unprotection" section.

## Word/Byte Configuration

The BYTE# pin controls whether the device data I/O pins DQ15–DQ0 operate in the byte or word configuration. If the BYTE# pin is set at logic '1', the device is in word configuration, DQ15–DQ0 are active and controlled by CE# and OE#.

If the BYTE# pin is set at logic '0', the device is in byte configuration, and only data I/O pins DQ0–DQ7 are active and controlled by CE# and OE#. The data I/O pins DQ8–DQ14 are tri-stated, and the DQ15 pin is used as an input for the LSB (A-1) address function.

## Requirements for Reading Array Data

To read array data from the outputs, the system must drive the CE# and OE# pins to V<sub>IL</sub>. CE# is the power control and selects the device. OE# is the output control and gates array data to the output pins. WE# should remain at V<sub>IH</sub>. The BYTE# pin determines whether the device outputs array data in words or bytes.

The internal state machine is set for reading array data upon device power-up, or after a reset command (when not executing a program or erase operation). This ensures that no spurious alteration of the memory content occurs during the power transition. No command is necessary in this mode to obtain array data.

Standard microprocessor read cycles that assert valid addresses on the device address inputs produce valid data on the device data outputs. The device remains enabled for read access until the command register contents are altered.

See "Reading Array Data" for more information. Refer to the AC Read Operations table for timing specifications and to Figure 11 for the timing diagram. I<sub>CC1</sub> in the DC Characteristics table represents the active current specification for reading array data.

## Read Mode

### Random Read (Non-Page Mode Read)

The device has two control functions which must be satisfied in order to obtain data at the outputs. CE# is the power control and should be used for device selection. OE# is the output control and should be used to gate data to the output pins if the device is selected.

Address access time (t<sub>ACC</sub>) is equal to the delay from stable addresses to valid output data. The chip enable access time (t<sub>CE</sub>) is the delay from the stable addresses and stable CE# to valid data at the output pins. The output enable access time is the delay from the falling edge of OE# to valid data at the output pins (assuming the addresses have been stable for at least t<sub>ACC</sub>–t<sub>OE</sub> time).

## Page Mode Read

The Am29PL160C is capable of fast Page mode read and is compatible with the Page mode Mask ROM read operation. This mode provides faster read access speed for random locations within a page. The Page size of the Am29PL160C device is 8 words, or 16 bytes, with the appropriate Page being selected by the higher address bits A3–A19 and the LSB bits A0–A2 (in the word mode) and A-1 to A2 (in the byte mode) determining the specific word/byte within that page. This is an asynchronous operation with the microprocessor supplying the specific word or byte location.

The random or initial page access is equal to  $t_{ACC}$  or  $t_{CE}$  and subsequent Page read accesses (as long as the locations specified by the microprocessor falls within that Page) is equivalent to  $t_{PACC}$ . When CE# is deasserted and reasserted for a subsequent access, the access time is  $t_{ACC}$  or  $t_{CE}$ . Here again, CE# selects the device and OE# is the output control and should be used to gate data to the output pins if the device is selected. Fast Page mode accesses are obtained by keeping A3–A19 constant and changing A0 to A2 to select the specific word, or changing A-1 to A2 to select the specific byte, within that page.

The following tables determine the specific word and byte within the selected page:

**Table 2. Word Mode**

| Word   | A2 | A1 | A0 |
|--------|----|----|----|
| Word 0 | 0  | 0  | 0  |
| Word 1 | 0  | 0  | 1  |
| Word 2 | 0  | 1  | 0  |
| Word 3 | 0  | 1  | 1  |
| Word 4 | 1  | 0  | 0  |
| Word 5 | 1  | 0  | 1  |
| Word 6 | 1  | 1  | 0  |
| Word 7 | 1  | 1  | 1  |

**Table 3. Byte Mode**

| Byte    | A2 | A1 | A0 | A-1 |
|---------|----|----|----|-----|
| Byte 0  | 0  | 0  | 0  | 0   |
| Byte 1  | 0  | 0  | 0  | 1   |
| Byte 2  | 0  | 0  | 1  | 0   |
| Byte 3  | 0  | 0  | 1  | 1   |
| Byte 4  | 0  | 1  | 0  | 0   |
| Byte 5  | 0  | 1  | 0  | 1   |
| Byte 6  | 0  | 1  | 1  | 0   |
| Byte 7  | 0  | 1  | 1  | 1   |
| Byte 8  | 1  | 0  | 0  | 0   |
| Byte 9  | 1  | 0  | 0  | 1   |
| Byte 10 | 1  | 0  | 1  | 0   |
| Byte 11 | 1  | 0  | 1  | 1   |
| Byte 12 | 1  | 1  | 0  | 0   |
| Byte 13 | 1  | 1  | 0  | 1   |
| Byte 14 | 1  | 1  | 1  | 0   |
| Byte 15 | 1  | 1  | 1  | 1   |

## Writing Commands/Command Sequences

To write a command or command sequence (which includes programming data to the device and erasing sectors of memory), the system must drive WE# and CE# to  $V_{IL}$ , and OE# to  $V_{IH}$ .

For program operations, the BYTE# pin determines whether the device accepts program data in bytes or words. Refer to “Word/Byte Configuration” for more information.

The device features an **Unlock Bypass** mode to facilitate faster programming. Once the device enters the Unlock Bypass mode, only two write cycles are required to program a word or byte, instead of four. The “Word/Byte Program Command Sequence” section has details on programming data to the device using both standard and Unlock Bypass command sequences.

An erase operation can erase one sector, multiple sectors, or the entire device. Table 4 indicates the address space that each sector occupies. A “sector address” consists of the address bits required to uniquely select a sector. The “Command Definitions” section has details on erasing a sector or the entire chip, or suspending/resuming the erase operation.

After the system writes the autoselect command sequence, the device enters the autoselect mode. The system can then read autoselect codes from the internal register (which is separate from the memory array) on DQ7–DQ0. Standard read cycle timings apply in this mode. Refer to the “Autoselect Mode” and “Autoselect Command Sequence” sections for more information.

$I_{CC2}$  in the DC Characteristics table represents the active current specification for the write mode. The “AC Characteristics” section contains timing specification tables and timing diagrams for write operations.

## Program and Erase Operation Status

During an erase or program operation, the system may check the status of the operation by reading the status

bits on DQ7–DQ0. Standard read cycle timings and  $I_{CC}$  read specifications apply. Refer to “Write Operation Status” for more information, and to “AC Characteristics” for timing diagrams.

## Standby Mode

When the system is not reading or writing to the device, it can place the device in the standby mode. In this mode, current consumption is greatly reduced, and the outputs are placed in the high impedance state, independent of the OE# input.

The device enters the CMOS standby mode when the CE# pin is both held at  $V_{CC} \pm 0.3$  V. (Note that this is a more restricted voltage range than  $V_{IH}$ .) If CE# is held at  $V_{IH}$ , but not within  $V_{CC} \pm 0.3$  V, the device will be in the standby mode, but the standby current will be greater. The device requires standard access time ( $t_{CE}$ ) for read access when the device is in either of these standby modes, before it is ready to read data.

If the device is deselected during erasure or programming, the device draws active current until the operation is completed.

## Automatic Sleep Mode

The automatic sleep mode minimizes Flash device energy consumption. The device automatically enables this mode when addresses remain stable for  $t_{ACC} + 30$  ns. The automatic sleep mode is independent of the CE#, WE#, and OE# control signals. Standard address access timings provide new data when addresses are changed. While in sleep mode, output data is latched and always available to the system. Note that during Automatic Sleep mode, OE# must be at  $V_{IH}$  before the device reduces current to the stated sleep mode specification.

## Output Disable Mode

When the OE# input is at  $V_{IH}$ , output from the device is disabled. The output pins are placed in the high impedance state.

**Table 4. Sector Address Table, Bottom Boot (Am29PL160CB)**

| Sector | A19 | A18 | A17 | A16 | A15         | A14 | A13 | A12 | Sector Size<br>(Kbytes/<br>Kwords) | Address Range (in hexadecimal) |                 |
|--------|-----|-----|-----|-----|-------------|-----|-----|-----|------------------------------------|--------------------------------|-----------------|
|        |     |     |     |     |             |     |     |     |                                    | Byte Mode (x8)                 | Word Mode (x16) |
| SA0    | 0   | 0   | 0   | 0   | 0           | 0   | 0   | X   | 16/8                               | 000000–003FFF                  | 00000–01FFF     |
| SA1    | 0   | 0   | 0   | 0   | 0           | 0   | 1   | 0   | 8/4                                | 004000–005FFF                  | 02000–02FFF     |
| SA2    | 0   | 0   | 0   | 0   | 0           | 0   | 1   | 1   | 8/4                                | 006000–007FFF                  | 03000–03FFF     |
| SA3    | 0   | 0   | 0   |     | 01000–11111 |     |     |     | 224/112                            | 008000–03FFFF                  | 04000–1FFFF     |
| SA4    | 0   | 0   | 1   | X   | X           | X   | X   | X   | 256/128                            | 040000–07FFFF                  | 20000–3FFFF     |
| SA5    | 0   | 1   | 0   | X   | X           | X   | X   | X   | 256/128                            | 080000–0BFFFF                  | 40000–5FFFF     |
| SA6    | 0   | 1   | 1   | X   | X           | X   | X   | X   | 256/128                            | 0C0000–0FFFFFFF                | 60000–7FFFF     |
| SA7    | 1   | 0   | 0   | X   | X           | X   | X   | X   | 256/128                            | 100000–13FFFF                  | 80000–9FFFF     |
| SA8    | 1   | 0   | 1   | X   | X           | X   | X   | X   | 256/128                            | 140000–17FFFF                  | A0000–BFFFF     |
| SA9    | 1   | 1   | 0   | X   | X           | X   | X   | X   | 256/128                            | 180000–1BFFFF                  | C0000–DFFFF     |
| SA10   | 1   | 1   | 1   | X   | X           | X   | X   | X   | 256/128                            | 1C0000–1FFFFFFF                | E0000–FFFFFF    |

## Autoselect Mode

The autoselect mode provides manufacturer and device identification, and sector protection verification, through identifier codes output on DQ7–DQ0. This mode is primarily intended for programming equipment to automatically match a device to be programmed with its corresponding programming algorithm. However, the autoselect codes can also be accessed in-system through the command register.

When using programming equipment, the autoselect mode requires  $V_{ID}$  (11.5 V to 12.5 V) on address pin A9. Address pins A6, A1, and A0 must be as shown in

Table 5. In addition, when verifying sector protection, the sector address must appear on the appropriate highest order address bits (Table 4). Table 5 shows the remaining address bits that are don't care. When all necessary bits have been set as required, the programming equipment may then read the corresponding identifier code on DQ7-DQ0.

To access the autoselect codes in-system, the host system can issue the autoselect command via the command register, as shown in Table 10. This method does not require  $V_{ID}$ . See “Command Definitions” for details on using the autoselect mode.

**Table 5. Am29PL160C Autoselect Codes (High Voltage Method)**

| Description                               | Mode | CE# | OE# | WE# | A19 to A12 | A11 to A10 | A9       | A8 to A7 | A6 | A5 to A2 | A1 | A0 | DQ8 to DQ15 | DQ7 to DQ0        |
|---|------|-----|-----|-----|------------|------------|----------|----------|----|----------|----|----|-------------|-------------------|
| Manufacturer ID: AMD                      |      | L   | L   | H   | X          | X          | $V_{ID}$ | X        | L  | X        | L  | L  | X           | 01h               |
| Device ID: Am29PL160C (Bottom Boot Block) | Word | L   | L   | H   | X          | X          | $V_{ID}$ | X        | L  | X        | L  | H  | 22h         | 45h               |
|   | Byte | L   | L   | H   | X          | X          | $V_{ID}$ | X        | L  | X        | L  | H  | X           | 45h               |
| Sector Protection Verification            |      | L   | L   | H   | SA         | X          | $V_{ID}$ | X        | L  | X        | H  | L  | X           | 01h (protected)   |
|   |      |     |     |     |            |            |          |          |    |          |    |    | X           | 00h (unprotected) |

$L = \text{Logic Low} = V_{IL}$ ,  $H = \text{Logic High} = V_{IH}$ ,  $SA = \text{Sector Address}$ ,  $X = \text{Don't care}$ .

**Note:** The autoselect codes may also be accessed in-system via command sequences. See Table 10.

## Sector Protection/Unprotection

The hardware sector protection feature disables both program and erase operations in any sector. The hardware sector unprotection feature re-enables both program and erase operations in previously protected sectors.

The device is shipped with all sectors unprotected. AMD offers the option of programming and protecting sectors at its factory prior to shipping the device through AMD's ExpressFlash™ Service. Contact an AMD representative for details.

It is possible to determine whether a sector is protected or unprotected. See “Autoselect Mode” for details.

Sector protection and unprotection must be implemented using programming equipment. The procedure requires  $V_{ID}$  on address pin A9 and OE#. Details on this method are provided in a supplement, publication number 22239. Contact an AMD representative to request a copy.

The device features a temporary unprotect command sequence to allow changing array data in-system. See “Temporary Unprotect Enable/Disable Command Sequence” for more information.

## COMMON FLASH MEMORY INTERFACE (CFI)

The Common Flash Interface (CFI) specification outlines device and host system software interrogation handshake, which allows specific vendor-specified software algorithms to be used for entire families of devices. Software support can then be device-independent, JEDEC ID-independent, and forward- and backward-compatible for the specified flash device families. Flash vendors can standardize their existing interfaces for long-term compatibility.

This device enters the CFI Query mode when the system writes the CFI Query command, 98h, to address 55h in word mode (or address AAh in byte mode), any time the device is ready to read array data. The system

can read CFI information at the addresses given in Tables 6–9. To terminate reading CFI data, the system must write the reset command.

The system can also write the CFI query command when the device is in the autoselect mode. The device enters the CFI query mode, and the system can read CFI data at the addresses given in Tables 6–9. The system must write the reset command to return the device to the autoselect mode.

For further information, please refer to the CFI Specification and CFI Publication 100, available via the World Wide Web at <http://www.amd.com/products/nvd/overview/cfi.html>. Alternatively, contact an AMD representative for copies of these documents.

**Table 6. CFI Query Identification String**

| Addresses (Word Mode) | Addresses (Byte Mode) | Data                    | Description  |
|-----------------------|-----------------------|-------------------------|--|
| 10h<br>11h<br>12h     | 20h<br>22h<br>24h     | 0051h<br>0052h<br>0059h | Query Unique ASCII string “QRY”                              |
| 13h<br>14h            | 26h<br>28h            | 0002h<br>0000h          | Primary OEM Command Set                                      |
| 15h<br>16h            | 2Ah<br>2Ch            | 0040h<br>0000h          | Address for Primary Extended Table                           |
| 17h<br>18h            | 2Eh<br>30h            | 0000h<br>0000h          | Alternate OEM Command Set (00h = none exists)                |
| 19h<br>1Ah            | 32h<br>34h            | 0000h<br>0000h          | Address for Alternate OEM Extended Table (00h = none exists) |

Table 7. System Interface String

| Addresses (Word Mode) | Addresses (Byte Mode) | Data  | Description   |
|-----------------------|-----------------------|-------|---|
| 1Bh                   | 36h                   | 0027h | V <sub>CC</sub> Min. (write/erase)<br>D7–D4: volt, D3–D0: 100 millivolt             |
| 1Ch                   | 38h                   | 0036h | V <sub>CC</sub> Max. (write/erase), D7–D4: volt, D3–D0: 100 millivolt               |
| 1Dh                   | 3Ah                   | 0000h | V <sub>PP</sub> Min. voltage (00h = no V <sub>PP</sub> pin present)                 |
| 1Eh                   | 3Ch                   | 0000h | V <sub>PP</sub> Max. voltage (00h = no V <sub>PP</sub> pin present)                 |
| 1Fh                   | 3Eh                   | 0004h | Typical timeout per single byte/word write 2 <sup>N</sup> μs                        |
| 20h                   | 40h                   | 0000h | Typical timeout for Min. size buffer write 2 <sup>N</sup> μs (00h = not supported)  |
| 21h                   | 42h                   | 000Ah | Typical timeout per individual block erase 2 <sup>N</sup> ms                        |
| 22h                   | 44h                   | 0000h | Typical timeout for full chip erase 2 <sup>N</sup> ms (00h = not supported)         |
| 23h                   | 46h                   | 0005h | Max. timeout for byte/word write 2 <sup>N</sup> times typical                       |
| 24h                   | 48h                   | 0000h | Max. timeout for buffer write 2 <sup>N</sup> times typical                          |
| 25h                   | 4Ah                   | 0004h | Max. timeout per individual block erase 2 <sup>N</sup> times typical                |
| 26h                   | 4Ch                   | 0000h | Max. timeout for full chip erase 2 <sup>N</sup> times typical (00h = not supported) |

Table 8. Device Geometry Definition

| Addresses (Word Mode)    | Addresses (Byte Mode)    | Data                             | Description   |
|--------------------------|--------------------------|----------------------------------|---|
| 27h                      | 4Eh                      | 0015h                            | Device Size = 2 <sup>N</sup> byte   |
| 28h<br>29h               | 50h<br>52h               | 0002h<br>0000h                   | Flash Device Interface description (refer to CFI publication 100)                           |
| 2Ah<br>2Bh               | 54h<br>56h               | 0000h<br>0000h                   | Max. number of bytes in multi-byte write = 2 <sup>N</sup><br>(00h = not supported)          |
| 2Ch                      | 58h                      | 0004h                            | Number of Erase Block Regions within device   |
| 2Dh<br>2Eh<br>2Fh<br>30h | 5Ah<br>5Ch<br>5Eh<br>60h | 0000h<br>0000h<br>0040h<br>0000h | Erase Block Region 1 Information<br>(refer to the CFI specification or CFI publication 100) |
| 31h<br>32h<br>33h<br>34h | 62h<br>64h<br>66h<br>68h | 0001h<br>0000h<br>0020h<br>0000h | Erase Block Region 2 Information  |
| 35h<br>36h<br>37h<br>38h | 6Ah<br>6Ch<br>6Eh<br>70h | 0000h<br>0000h<br>0080h<br>0003h | Erase Block Region 3 Information  |
| 39h<br>3Ah<br>3Bh<br>3Ch | 72h<br>74h<br>76h<br>78h | 0006h<br>0000h<br>0000h<br>0004h | Erase Block Region 4 Information  |



Table 9. Primary Vendor-Specific Extended Query

| Addresses<br>(Word Mode) | Addresses<br>(Byte Mode) | Data                    | Description  |
|--------------------------|--------------------------|-------------------------|--|
| 40h<br>41h<br>42h        | 80h<br>82h<br>84h        | 0050h<br>0052h<br>0049h | Query-unique ASCII string "PRI"  |
| 43h                      | 86h                      | 0031h                   | Major version number, ASCII  |
| 44h                      | 88h                      | 0030h                   | Minor version number, ASCII  |
| 45h                      | 8Ah                      | 0000h                   | Address Sensitive Unlock<br>0 = Required, 1 = Not Required   |
| 46h                      | 8Ch                      | 0002h                   | Erase Suspend<br>0 = Not Supported, 1 = To Read Only, 2 = To Read & Write  |
| 47h                      | 8Eh                      | 0001h                   | Sector Protect<br>0 = Not Supported, X = Number of sectors in per group  |
| 48h                      | 90h                      | 0001h                   | Sector Temporary Unprotect<br>00 = Not Supported, 01 = Supported   |
| 49h                      | 92h                      | 0004h                   | Sector Protect/Unprotect scheme<br>01 = 29F040 mode, 02 = 29F016 mode,<br>03 = 29F400 mode, 04 = 29LV800A mode                                   |
| 4Ah                      | 94h                      | 0000h                   | Simultaneous Operation<br>00 = Not Supported, 01 = Supported   |
| 4Bh                      | 96h                      | 0000h                   | Burst Mode Type<br>00 = Not Supported, 01 = 4 Word Linear Burst, 02 = 8 Word Linear Burst,<br>03 = 32 Linear Burst, 04 = 4 Word Interleave Burst |
| 4Ch                      | 98h                      | 0002h                   | Page Mode Type<br>00 = Not Supported, 01 = 4 Word Page, 02 = 8 Word Page   |

## HARDWARE DATA PROTECTION

The command sequence requirement of unlock cycles for programming or erasing provides data protection against inadvertent writes (refer to Table 10 for command definitions). In addition, the following hardware data protection measures prevent accidental erasure or programming, which might otherwise be caused by spurious system level signals during  $V_{CC}$  power-up and power-down transitions, or from system noise.

### Low $V_{CC}$ Write Inhibit

When  $V_{CC}$  is less than  $V_{LKO}$ , the device does not accept any write cycles. This protects data during  $V_{CC}$  power-up and power-down. The command register and all internal program/erase circuits are disabled, and the device resets. Subsequent writes are ignored until  $V_{CC}$  is greater than  $V_{LKO}$ . The system must pro-

vide the proper signals to the control pins to prevent unintentional writes when  $V_{CC}$  is greater than  $V_{LKO}$ .

### Write Pulse "Glitch" Protection

Noise pulses of less than 5 ns (typical) on OE#, CE# or WE# do not initiate a write cycle.

### Logical Inhibit

Write cycles are inhibited by holding any one of OE# =  $V_{IL}$ , CE# =  $V_{IH}$  or WE# =  $V_{IH}$ . To initiate a write cycle, CE# and WE# must be a logical zero while OE# is a logical one.

### Power-Up Write Inhibit

If WE# = CE# =  $V_{IL}$  and OE# =  $V_{IH}$  during power up, the device does not accept commands on the rising edge of WE#. The internal state machine is automatically reset to reading array data on power-up.

## COMMAND DEFINITIONS

Writing specific address and data commands or sequences into the command register initiates device operations. Table 10 defines the valid register command sequences. Writing **incorrect address and data values** or writing them in the **improper sequence** resets the device to reading array data.

All addresses are latched on the falling edge of WE# or CE#, whichever happens later. All data is latched on the rising edge of WE# or CE#, whichever happens first. Refer to the appropriate timing diagrams in the “AC Characteristics” section.

### Reading Array Data

The device is automatically set to reading array data after device power-up. No commands are required to retrieve data. The device is also ready to read array data after completing an Embedded Program or Embedded Erase algorithm.

After the device accepts an Erase Suspend command, the device enters the Erase Suspend mode. The system can read array data using the standard read timings, except that if it reads at an address within erase-suspended sectors, the device outputs status data. After completing a programming operation in the Erase Suspend mode, the system may once again read array data with the same exception. See “Erase Suspend/Erase Resume Commands” for more information on this mode.

The system *must* issue the reset command to re-enable the device for reading array data if DQ5 goes high, or while in the autoselect mode. See the “Reset Command” section, next.

See also “Requirements for Reading Array Data” in the “Device Bus Operations” section for more information. The Read Operations table provides the read parameters, and Figure 11 shows the timing diagram.

### Reset Command

Writing the reset command to the device resets the device to reading array data. Address bits are don't care for this command.

The reset command may be written between the sequence cycles in an erase command sequence before erasing begins. This resets the device to reading array data. Once erasure begins, however, the device ignores reset commands until the operation is complete.

The reset command may be written between the sequence cycles in a program command sequence before programming begins. This resets the device to reading array data (also applies to programming in Erase Suspend mode). Once programming begins, however, the device ignores reset commands until the operation is complete.

The reset command may be written between the sequence cycles in an autoselect command sequence. Once in the autoselect mode, the reset command *must* be written to return to reading array data (also applies to autoselect during Erase Suspend).

If DQ5 goes high during a program or erase operation, writing the reset command returns the device to reading array data (also applies during Erase Suspend).

### Autoselect Command Sequence

The autoselect command sequence allows the host system to access the manufacturer and device codes, and determine whether or not a sector is protected. Table 10 shows the address and data requirements. This method is an alternative to that shown in Table 5, which is intended for PROM programmers and requires V<sub>ID</sub> on address bit A9.

The autoselect command sequence is initiated by writing two unlock cycles, followed by the autoselect command. The device then enters the autoselect mode, and the system may read at any address any number of times, without initiating another command sequence.

A read cycle at address XX00h retrieves the manufacturer code. A read cycle at address XX01h returns the device code. A read cycle containing a sector address (SA) and the address 02h in word mode (or 04h in byte mode) returns 01h if that sector is protected, or 00h if it is unprotected. Refer to Table 4 for valid sector addresses.

The system must write the reset command to exit the autoselect mode and return to reading array data.

### Word/Byte Program Command Sequence

The system may program the device by word or byte, depending on the state of the BYTE# pin. Programming is a four-bus-cycle operation. The program command sequence is initiated by writing two unlock write cycles, followed by the program set-up command. The program address and data are written next, which in turn initiate the Embedded Program algorithm. The system is *not* required to provide further controls or timings. The device automatically generates the program pulses and verifies the programmed cell margin. Table 10 shows the address and data requirements for the byte program command sequence.

When the Embedded Program algorithm is complete, the device then returns to reading array data and addresses are no longer latched. The system can determine the status of the program operation by using DQ7 or DQ6. See “Write Operation Status” for information on these status bits.

Any commands written to the device during the Embedded Program Algorithm are ignored.

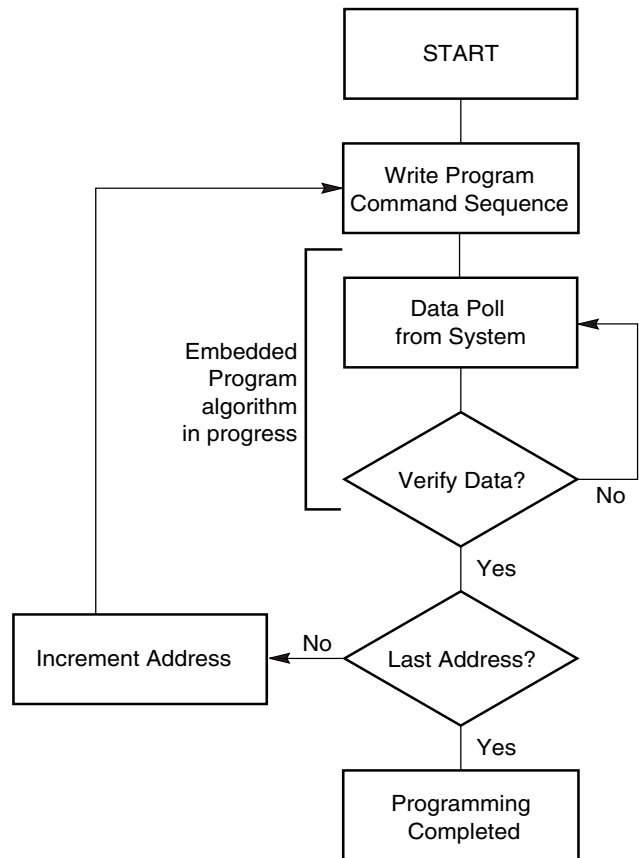
Programming is allowed in any sequence and across sector boundaries. **A bit cannot be programmed from a “0” back to a “1”.** Attempting to do so may halt the operation and set DQ5 to “1,” or cause the Data# Polling algorithm to indicate the operation was successful. However, a succeeding read will show that the data is still “0”. Only erase operations can convert a “0” to a “1”.

### Unlock Bypass Command Sequence

The unlock bypass feature allows the system to program bytes or words to the device faster than using the standard program command sequence. The unlock bypass command sequence is initiated by first writing two unlock cycles. This is followed by a third write cycle containing the unlock bypass command, 20h. The device then enters the unlock bypass mode. A two-cycle unlock bypass program command sequence is all that is required to program in this mode. The first cycle in this sequence contains the unlock bypass program command, A0h; the second cycle contains the program address and data. Additional data is programmed in the same manner. This mode dispenses with the initial two unlock cycles required in the standard program command sequence, resulting in faster total programming time. Table 10 shows the requirements for the command sequence.

During the unlock bypass mode, only the Unlock Bypass Program and Unlock Bypass Reset commands are valid. To exit the unlock bypass mode, the system must issue the two-cycle unlock bypass reset command sequence. The first cycle must contain the data 90h; the second cycle the data 00h. Addresses are don't care for both cycles. The device then returns to reading array data.

Figure 1 illustrates the algorithm for the program operation. See the Program/Erase Operations table in “AC Characteristics” for parameters, and to Figure 15 for timing diagrams.



**Note:** See Table 10 for program command sequence.

**Figure 1. Program Operation**

### Chip Erase Command Sequence

Chip erase is a six bus cycle operation. The chip erase command sequence is initiated by writing two unlock cycles, followed by a set-up command. Two additional unlock write cycles are then followed by the chip erase command, which in turn invokes the Embedded Erase algorithm. The device does *not* require the system to preprogram prior to erase. The Embedded Erase algorithm automatically preprograms and verifies the entire memory for an all zero data pattern prior to electrical erase. The system is not required to provide any controls or timings during these operations. Table 10 shows the address and data requirements for the chip erase command sequence.

Any commands written to the chip during the Embedded Erase algorithm are ignored.

The system can determine the status of the erase operation by using DQ7, DQ6, or DQ2. See “Write Operation Status” for information on these status bits. When the Embedded Erase algorithm is complete, the

device returns to reading array data and addresses are no longer latched.

Figure 2 illustrates the algorithm for the erase operation. See the Program/Erase Operations tables in “AC Characteristics” for parameters, and to Figure 16 for timing diagrams.

### Sector Erase Command Sequence

Sector erase is a six bus cycle operation. The sector erase command sequence is initiated by writing two unlock cycles, followed by a set-up command. Two additional unlock write cycles are then followed by the address of the sector to be erased, and the sector erase command. Table 10 shows the address and data requirements for the sector erase command sequence.

The device does *not* require the system to preprogram the memory prior to erase. The Embedded Erase algorithm automatically programs and verifies the sector for an all zero data pattern prior to electrical erase. The system is not required to provide any controls or timings during these operations.

After the command sequence is written, a sector erase time-out of 50  $\mu$ s begins. During the time-out period, additional sector addresses and sector erase commands may be written. Loading the sector erase buffer may be done in any sequence, and the number of sectors may be from one sector to all sectors. The time between these additional cycles must be less than 50  $\mu$ s, otherwise the last address and command might not be accepted, and erasure may begin. It is recommended that processor interrupts be disabled during this time to ensure all commands are accepted. The interrupts can be re-enabled after the last Sector Erase command is written. If the time between additional sector erase commands can be assumed to be less than 50  $\mu$ s, the system need not monitor DQ3. **Any command other than Sector Erase or Erase Suspend during the time-out period resets the device to reading array data.** The system must rewrite the command sequence and any additional sector addresses and commands.

The system can monitor DQ3 to determine if the sector erase timer has timed out. (See the “DQ3: Sector Erase Timer” section.) The time-out begins from the rising edge of the final WE# pulse in the command sequence.

Once the sector erase operation has begun, only the Erase Suspend command is valid. All other commands are ignored.

When the Embedded Erase algorithm is complete, the device returns to reading array data and addresses are no longer latched. The system can determine the status of the erase operation by using DQ7, DQ6, or DQ2. (Refer to “Write Operation Status” for information on these status bits.)

Figure 2 illustrates the algorithm for the erase operation. Refer to the Program/Erase Operations tables in the “AC Characteristics” section for parameters, and to Figure 16 for timing diagrams.

### Erase Suspend/Erase Resume Commands

The Erase Suspend command allows the system to interrupt a sector erase operation and then read data from, or program data to, any sector not selected for erasure. This command is valid only during the sector erase operation, including the 50  $\mu$ s time-out period during the sector erase command sequence. The Erase Suspend command is ignored if written during the chip erase operation or Embedded Program algorithm. Writing the Erase Suspend command during the Sector Erase time-out immediately terminates the time-out period and suspends the erase operation. Addresses are “don’t-cares” when writing the Erase Suspend command.

When the Erase Suspend command is written during a sector erase operation, the device requires a maximum of 20  $\mu$ s to suspend the erase operation. However, when the Erase Suspend command is written during the sector erase time-out, the device immediately terminates the time-out period and suspends the erase operation.

After the erase operation has been suspended, the system can read array data from or program data to any sector not selected for erasure. (The device “erase suspends” all sectors selected for erasure.) Normal read and write timings and command definitions apply. Reading at any address within erase-suspended sectors produces status data on DQ7–DQ0. The system can use DQ7, or DQ6 and DQ2 together, to determine if a sector is actively erasing or is erase-suspended. See “Write Operation Status” for information on these status bits.

After an erase-suspended program operation is complete, the system can once again read array data within non-suspended sectors. The system can determine the status of the program operation using the DQ7 or DQ6 status bits, just as in the standard program operation. See “Write Operation Status” for more information.

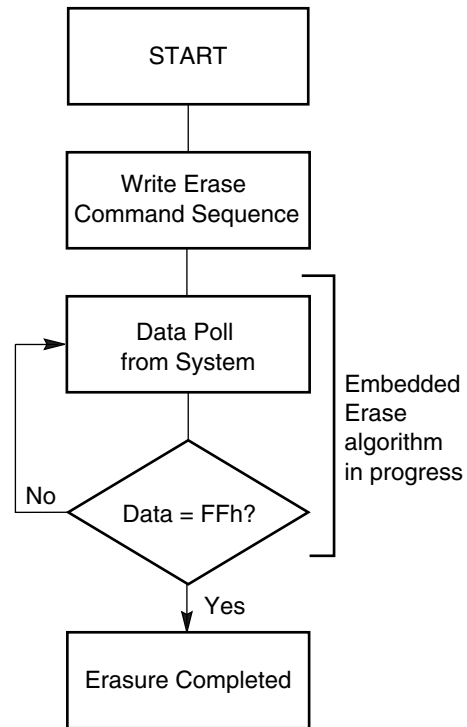
The system may also write the autoselect command sequence when the device is in the Erase Suspend mode. The device allows reading autoselect codes even at addresses within erasing sectors, since the codes are not stored in the memory array. When the device exits the autoselect mode, the device reverts to the Erase Suspend mode, and is ready for another valid operation. See “Autoselect Command Sequence” for more information.

The system must write the Erase Resume command (address bits are “don’t care”) to exit the erase sus-

pend mode and continue the sector erase operation. Further writes of the Resume command are ignored. Another Erase Suspend command can be written after the device has resumed erasing.

### Temporary Unprotect Enable/Disable Command Sequence

The temporary unprotect command sequence is a four-bus-cycle operation. The sequence is initiated by writing two unlock write cycles. A third write cycle sets up the command. The fourth and final write cycle enables or disables the temporary unprotect feature. If the temporary unprotect feature is enabled, all sectors are temporarily unprotected. The system may program or erase data as needed. When the system writes the temporary unprotect disable command sequence, all sectors return to their previous protected or unprotected settings. See Table 10 for more information.



**Notes:**

1. See Table 10 for erase command sequence.
2. See "DQ3: Sector Erase Timer" for more information.

**Figure 2. Erase Operation**

## Command Definitions

**Table 10. Am29PL160C Command Definitions**

| Command Sequence (Note 1)       |                                | Cycles | Bus Cycles (Notes 2–5) |      |        |      |       |      |        |          |       |      |       |      |  |  |
|---------------------------------|--------------------------------|--------|------------------------|------|--------|------|-------|------|--------|----------|-------|------|-------|------|--|--|
|                                 |                                |        | First                  |      | Second |      | Third |      | Fourth |          | Fifth |      | Sixth |      |  |  |
|                                 |                                |        | Addr                   | Data | Addr   | Data | Addr  | Data | Addr   | Data     | Addr  | Data | Addr  | Data |  |  |
| Read (Note 6)                   |                                | 1      | RA                     | RD   |        |      |       |      |        |          |       |      |       |      |  |  |
| Reset (Note 7)                  |                                | 1      | XXX                    | F0   |        |      |       |      |        |          |       |      |       |      |  |  |
| Autoselect (Note 8)             | Manufacturer ID                | Word   | 4                      | 555  | AA     | 2AA  | 55    | 555  | 90     | X00      | 01    |      |       |      |  |  |
|                                 |                                | Byte   | 4                      | AAA  | AA     | 555  | 55    | AAA  | 90     | X01      | 2245  |      |       |      |  |  |
|                                 | Device ID, Bottom Boot Block   | Word   | 4                      | 555  | AA     | 2AA  | 55    | 555  | 90     | X02      | 45    |      |       |      |  |  |
|                                 |                                | Byte   | 4                      | AAA  | AA     | 555  | 55    | AAA  | 90     | (SA) X02 | XX00  |      |       |      |  |  |
|                                 | Sector Protect Verify (Note 9) | Word   | 4                      | 555  | AA     | 2AA  | 55    | 555  | 90     | (SA) X02 | XX01  |      |       |      |  |  |
|                                 |                                | Byte   | 4                      | AAA  | AA     | 555  | 55    | AAA  | 90     | (SA) X04 | 00    |      |       |      |  |  |
| CFI Query (Note 10)             | Word                           | 1      | 55                     | 98   |        |      |       |      |        |          |       |      |       |      |  |  |
|                                 | Byte                           | 1      | AA                     | 98   |        |      |       |      |        |          |       |      |       |      |  |  |
| Program                         | Word                           | 4      | 555                    | AA   | 2AA    | 55   | 555   | A0   | PA     | PD       |       |      |       |      |  |  |
|                                 | Byte                           | 4      | AAA                    | AA   | 555    | 55   | AAA   | A0   | PA     | PD       |       |      |       |      |  |  |
| Unlock Bypass                   | Word                           | 3      | 555                    | AA   | 2AA    | 55   | 555   | 20   |        |          |       |      |       |      |  |  |
|                                 | Byte                           | 3      | AAA                    | AA   | 555    | 55   | AAA   | 20   |        |          |       |      |       |      |  |  |
| Unlock Bypass Program (Note 11) |                                | 2      | XXX                    | A0   | PA     | PD   |       |      |        |          |       |      |       |      |  |  |
| Unlock Bypass Reset (Note 12)   |                                | 2      | XXX                    | 90   | XXX    | 00   |       |      |        |          |       |      |       |      |  |  |
| Chip Erase                      | Word                           | 6      | 555                    | AA   | 2AA    | 55   | 555   | 80   | 555    | AA       | 2AA   | 55   | 555   | 10   |  |  |
|                                 | Byte                           | 6      | AAA                    | AA   | 555    | 55   | AAA   | 80   | AAA    | AA       | 555   | 55   | AAA   | 10   |  |  |
| Sector Erase                    | Word                           | 6      | 555                    | AA   | 2AA    | 55   | 555   | 80   | 555    | AA       | 2AA   | 55   | SA    | 30   |  |  |
|                                 | Byte                           | 6      | AAA                    | AA   | 555    | 55   | AAA   | 80   | AAA    | AA       | 555   | 55   | SA    | 30   |  |  |
| Erase Suspend (Note 13)         |                                | 1      | XXX                    | B0   |        |      |       |      |        |          |       |      |       |      |  |  |
| Erase Resume (Note 14)          |                                | 1      | XXX                    | 30   |        |      |       |      |        |          |       |      |       |      |  |  |
| Temporary Unprotect Enable      | Word                           | 4      | 555                    | AA   | 2AA    | 55   | 555   | E0   | XXX    | 01       |       |      |       |      |  |  |
|                                 | Byte                           | 4      | AAA                    | AA   | 555    | 55   | AAA   | E0   | XXX    | 01       |       |      |       |      |  |  |
| Temporary Unprotect Disable     | Word                           | 4      | 555                    | AA   | 2AA    | 55   | 555   | E0   | XXX    | 00       |       |      |       |      |  |  |
|                                 | Byte                           | 4      | AAA                    | AA   | 555    | 55   | AAA   | E0   | XXX    | 00       |       |      |       |      |  |  |

**Legend:**

X = Don't care

RA = Address of the memory location to be read.

RD = Data read from location RA during read operation.

PA = Address of the memory location to be programmed. Addresses latch on the falling edge of the WE# or CE# pulse, whichever happens later.

PD = Data to be programmed at location PA. Data latches on the rising edge of WE# or CE# pulse, whichever happens first.

SA = Address of the sector to be verified (in autoselect mode) or erased. Address bits A19–A12 uniquely select any sector.

**Notes:**

- See Table 1 for description of bus operations.
- All values are in hexadecimal.
- Except for the read cycle and the fourth cycle of the autoselect command sequence, all bus cycles are write cycles.
- Data bits DQ15–DQ8 are don't cares for unlock and command cycles.
- Address bits A19–A11 are don't cares for unlock and command cycles, unless SA or PA required.
- No unlock or command cycles required when reading array data.
- The Reset command is required to return to reading array data when device is in the autoselect mode, or if DQ5 goes high (while the device is providing status data).
- The fourth cycle of the autoselect command sequence is a read cycle.
- The data is 00h for an unprotected sector and 01h for a protected sector. See "Autoselect Command Sequence" for more information.
- Command is valid when device is ready to read array data or when device is in autoselect mode.
- The Unlock Bypass command is required prior to the Unlock Bypass Program command.
- The Unlock Bypass Reset command is required to return to reading array data when the device is in the unlock bypass mode.
- The system may read and program in non-erasing sectors, or enter the autoselect mode, when in the Erase Suspend mode. The Erase Suspend command is valid only during a sector erase operation.
- The Erase Resume command is valid only during the Erase Suspend mode.

## WRITE OPERATION STATUS

The device provides several bits to determine the status of a write operation: DQ2, DQ3, DQ5, DQ6, and DQ7. Table 11 and the following subsections describe the functions of these bits. DQ7 and DQ6 each offer a method for determining whether a program or erase operation is complete or in progress. These three bits are discussed first.

### DQ7: Data# Polling

The Data# Polling bit, DQ7, indicates to the host system whether an Embedded Algorithm is in progress or completed, or whether the device is in Erase Suspend. Data# Polling is valid after the rising edge of the final WE# pulse in the program or erase command sequence.

During the Embedded Program algorithm, the device outputs on DQ7 the complement of the datum programmed to DQ7. This DQ7 status also applies to programming during Erase Suspend. When the Embedded Program algorithm is complete, the device outputs the datum programmed to DQ7. The system must provide the program address to read valid status information on DQ7. If a program address falls within a protected sector, Data# Polling on DQ7 is active for approximately 1  $\mu$ s, then the device returns to reading array data.

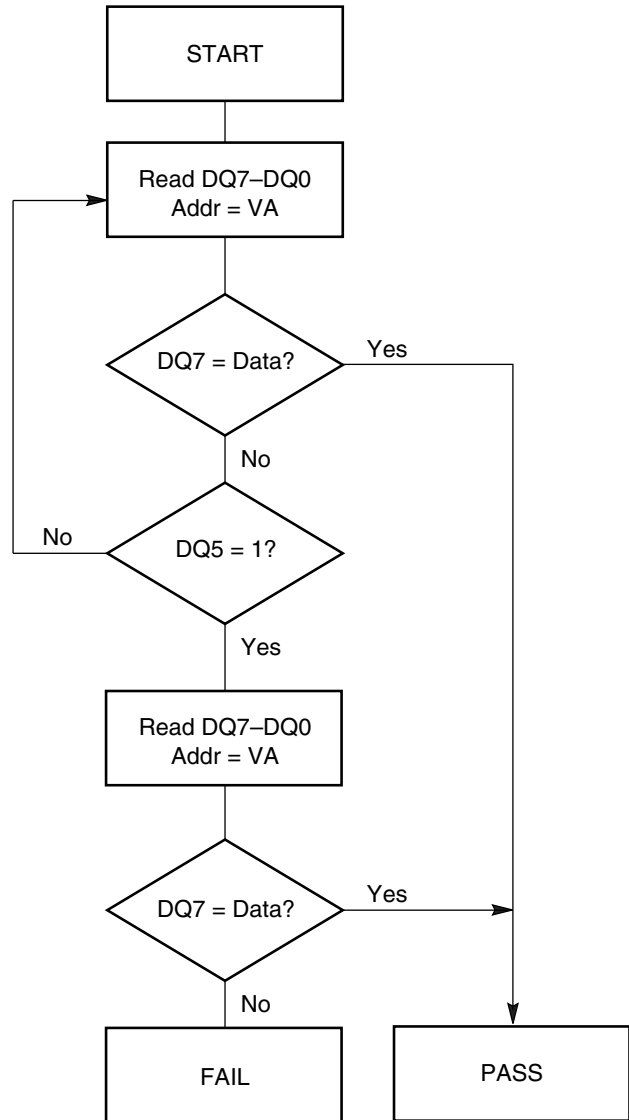
During the Embedded Erase algorithm, Data# Polling produces a “0” on DQ7. When the Embedded Erase algorithm is complete, or if the device enters the Erase Suspend mode, Data# Polling produces a “1” on DQ7. This is analogous to the complement/true datum output described for the Embedded Program algorithm: the erase function changes all the bits in a sector to “1”; prior to this, the device outputs the “complement,” or “0.” The system must provide an address within any of the sectors selected for erasure to read valid status information on DQ7.

After an erase command sequence is written, if all sectors selected for erasing are protected, Data# Polling on DQ7 is active for approximately 100  $\mu$ s, then the device returns to reading array data. If not all selected sectors are protected, the Embedded Erase algorithm erases the unprotected sectors, and ignores the selected sectors that are protected.

When the system detects DQ7 has changed from the complement to true data, it can read valid data at DQ7–DQ0 on the following read cycles. This is because DQ7 may change asynchronously with DQ0–

DQ6 while Output Enable (OE#) is asserted low. See Figure 16 in the “AC Characteristics” section.

Table 11 shows the outputs for Data# Polling on DQ7. Figure 3 shows the Data# Polling algorithm.



**Notes:**

1. VA = Valid address for programming. During a sector erase operation, a valid address is an address within any sector selected for erasure. During chip erase, a valid address is any non-protected sector address.
2. DQ7 should be rechecked even if DQ5 = “1” because DQ7 may change simultaneously with DQ5

**Figure 3. Data# Polling Algorithm**

## DQ6: Toggle Bit

Toggle Bit I on DQ6 indicates whether an Embedded Program or Erase algorithm is in progress or complete, or whether the device has entered the Erase Suspend mode. Toggle Bit I may be read at any address, and is valid after the rising edge of the final WE# pulse in the command sequence (prior to the program or erase operation), and during the sector erase time-out.

During an Embedded Program or Erase algorithm operation, successive read cycles to any address cause DQ6 to toggle. (The system may use either OE# or CE# to control the read cycles.) When the operation is complete, DQ6 stops toggling.

After an erase command sequence is written, if all sectors selected for erasing are protected, DQ6 toggles for approximately 100  $\mu$ s, then returns to reading array data. If not all selected sectors are protected, the Embedded Erase algorithm erases the unprotected sectors, and ignores the selected sectors that are protected.

The system can use DQ6 and DQ2 together to determine whether a sector is actively erasing or is erase-suspended. When the device is actively erasing (that is, the Embedded Erase algorithm is in progress), DQ6 toggles. When the device enters the Erase Suspend mode, DQ6 stops toggling. However, the system must also use DQ2 to determine which sectors are erasing or erase-suspended. Alternatively, the system can use DQ7 (see the subsection on “DQ7: Data# Polling”).

If a program address falls within a protected sector, DQ6 toggles for approximately 1  $\mu$ s after the program command sequence is written, then returns to reading array data.

DQ6 also toggles during the erase-suspend-program mode, and stops toggling once the Embedded Program algorithm is complete.

Table 11 shows the outputs for Toggle Bit I on DQ6. Figure 4 shows the toggle bit algorithm in flowchart form, and the section “Reading Toggle Bits DQ6/DQ2” explains the algorithm. Figure 18 in the “AC Characteristics” section shows the toggle bit timing diagrams. Figure 19 shows the differences between DQ2 and DQ6 in graphical form. See also the subsection on “DQ2: Toggle Bit”.

## DQ2: Toggle Bit

The “Toggle Bit II” on DQ2, when used with DQ6, indicates whether a particular sector is actively erasing (that is, the Embedded Erase algorithm is in progress), or whether that sector is erase-suspended. Toggle Bit II is valid after the rising edge of the final WE# pulse in the command sequence.

DQ2 toggles when the system reads at addresses within those sectors that have been selected for erasure. (The system may use either OE# or CE# to control the read cycles.) But DQ2 cannot distinguish whether the sector is actively erasing or is erase-suspended. DQ6, by comparison, indicates whether the device is actively erasing, or is in Erase Suspend, but cannot distinguish which sectors are selected for erasure. Thus, both status bits are required for sector and mode information. Refer to Table 11 to compare outputs for DQ2 and DQ6.

Figure 4 shows the toggle bit algorithm in flowchart form, and the section “Reading Toggle Bits DQ6/DQ2” explains the algorithm. See also the DQ6: Toggle Bit subsection. Figure 18 shows the toggle bit timing diagram. Figure 19 shows the differences between DQ2 and DQ6 in graphical form.

## Reading Toggle Bits DQ6/DQ2

Refer to Figure 4 for the following discussion. Whenever the system initially begins reading toggle bit status, it must read DQ7–DQ0 at least twice in a row to determine whether a toggle bit is toggling. Typically, the system would note and store the value of the toggle bit after the first read. After the second read, the system would compare the new value of the toggle bit with the first. If the toggle bit is not toggling, the device has completed the program or erase operation. The system can read array data on DQ7–DQ0 on the following read cycle.

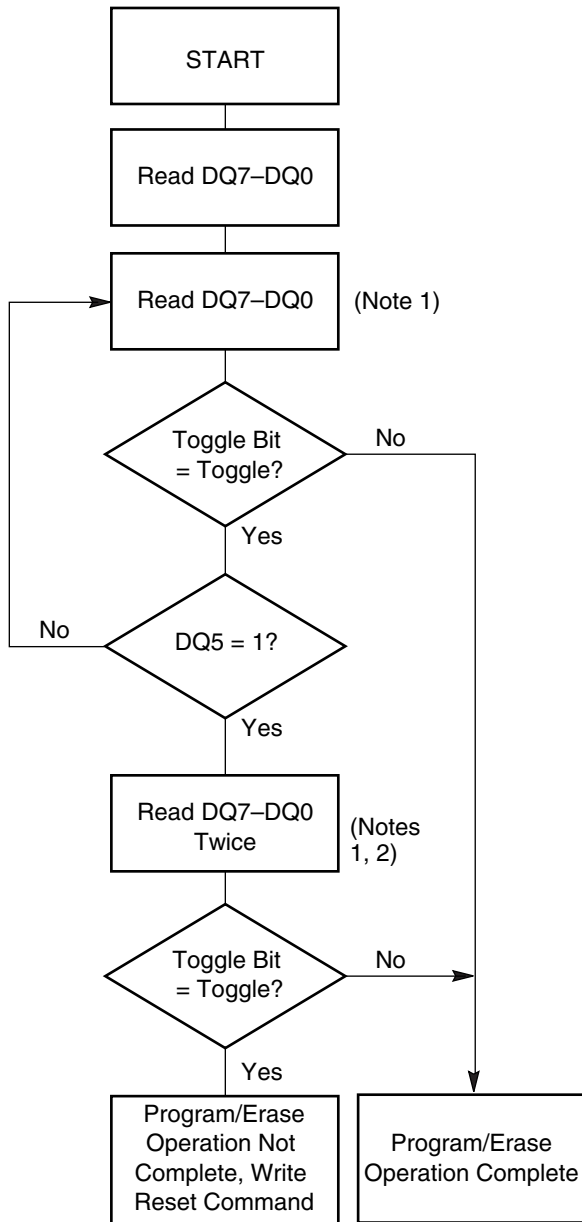
However, if after the initial two read cycles, the system determines that the toggle bit is still toggling, the system also should note whether the value of DQ5 is high (see the section on DQ5). If it is, the system should then determine again whether the toggle bit is toggling, since the toggle bit may have stopped toggling just as DQ5 went high. If the toggle bit is no longer toggling, the device has successfully completed the program or erase operation. If it is still toggling, the device did not complete the operation successfully, and the system must write the reset command to return to reading array data.

The remaining scenario is that the system initially determines that the toggle bit is toggling and DQ5 has not gone high. The system may continue to monitor the toggle bit and DQ5 through successive read cycles, determining the status as described in the previous paragraph. Alternatively, it may choose to perform other system tasks. In this case, the system must start at the beginning of the algorithm when it returns to determine the status of the operation (top of Figure 4).

## DQ5: Exceeded Timing Limits

DQ5 indicates whether the program or erase time has exceeded a specified internal pulse count limit. Under these conditions DQ5 produces a “1.” This is a failure





**Notes:**

1. Read toggle bit twice to determine whether or not it is toggling. See text.
2. Recheck toggle bit because it may stop toggling as DQ5 changes to "1". See text.

**Figure 4. Toggle Bit Algorithm**

condition that indicates the program or erase cycle was not successfully completed.

The DQ5 failure condition may appear if the system tries to program a "1" to a location that is previously programmed to "0." **Only an erase operation can change a "0" back to a "1."** Under this condition, the device halts the operation, and when the operation has exceeded the timing limits, DQ5 produces a "1."

Under both these conditions, the system must issue the reset command to return the device to reading array data.

**DQ3: Sector Erase Timer**

After writing a sector erase command sequence, the system may read DQ3 to determine whether or not an erase operation has begun. (The sector erase timer does not apply to the chip erase command.) If additional sectors are selected for erasure, the entire time-out also applies after each additional sector erase command. When the time-out is complete, DQ3 switches from "0" to "1." The system may ignore DQ3 if the system can guarantee that the time between additional sector erase commands will always be less than 50 μs. See also the "Write Operation Status" section.

After the sector erase command sequence is written, the system should read the status on DQ7 (Data# Polling) or DQ6 (Toggle Bit I) to ensure the device has accepted the command sequence, and then read DQ3. If DQ3 is "1", the internally controlled erase cycle has begun; all further commands (other than Erase Suspend) are ignored until the erase operation is complete. If DQ3 is "0", the device will accept additional sector erase commands. To ensure the command has been accepted, the system software should check the status of DQ3 prior to and following each subsequent sector erase command. If DQ3 is high on the second status check, the last command might not have been accepted. Table 11 shows the outputs for DQ3.

Table 11. Write Operation Status

| Operation                |  | DQ7<br>(Note 2) | DQ6       | DQ5<br>(Note 1) | DQ3  | DQ2<br>(Note 2) |
|--------------------------|--|-----------------|-----------|-----------------|------|-----------------|
| Standard<br>Mode         | Embedded Program Algorithm                   | DQ7#            | Toggle    | 0               | N/A  | No toggle       |
|                          | Embedded Erase Algorithm                     | 0               | Toggle    | 0               | 1    | Toggle          |
| Erase<br>Suspend<br>Mode | Reading within Erase<br>Suspended Sector     | 1               | No toggle | 0               | N/A  | Toggle          |
|                          | Reading within Non-Erase<br>Suspended Sector | Data            | Data      | Data            | Data | Data            |
|                          | Erase-Suspend-Program                        | DQ7#            | Toggle    | 0               | N/A  | N/A             |

**Notes:**

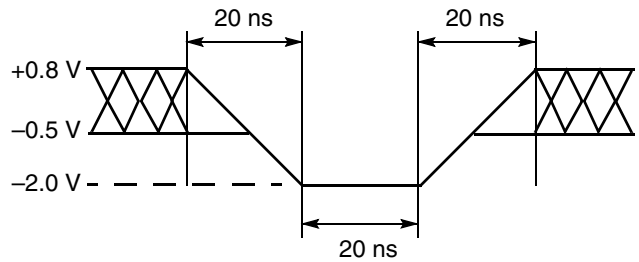
1. DQ5 switches to '1' when an Embedded Program or Embedded Erase operation has exceeded the maximum timing limits. See "DQ5: Exceeded Timing Limits" for more information.
2. DQ7 and DQ2 require a valid address when reading status information. Refer to the appropriate subsection for further details.

## ABSOLUTE MAXIMUM RATINGS

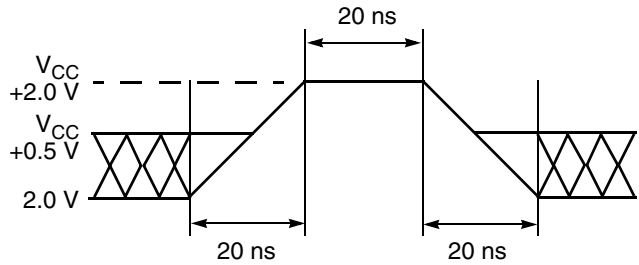
Storage Temperature  
 Plastic Packages . . . . . -65°C to +150°C  
 Ambient Temperature  
 with Power Applied. . . . . -65°C to +125°C  
 Voltage with Respect to Ground  
 $V_{CC}$  (Note 1) . . . . . -0.5 V to +4.0 V  
 A9 and OE# (Note 2) . . . . . -0.5 V to +13.0 V  
 All other pins (Note 1) . . . . . -0.5 V to +5.5 V  
 Output Short Circuit Current (Note 3) . . . . . 200 mA

**Notes:**

1. Minimum DC voltage on input or I/O pins is -0.5 V. During voltage transitions, input at I/O pins may overshoot  $V_{SS}$  to -2.0 V for periods of up to 20 ns. Maximum DC voltage on output and I/O pins is  $V_{CC} + 0.5$  V. During voltage transitions output pins may overshoot to  $V_{CC} + 2.0$  V for periods up to 20 ns.
2. Minimum DC input voltage on pins A9 and OE# is -0.5 V. During voltage transitions, A9 and OE# may overshoot  $V_{SS}$  to -2.0 V for periods of up to 20 ns. Maximum DC input voltage on pin A9 and OE# is +13.0 V which may overshoot to 14.0 V for periods up to 20 ns.
3. No more than one output may be shorted to ground at a time. Duration of the short circuit should not be greater than one second.
4. Stresses above those listed under "Absolute Maximum Ratings" may cause permanent damage to the device. This is a stress rating only; functional operation of the device at these or any other conditions above those indicated in the operational sections of this data sheet is not implied. Exposure of the device to absolute maximum rating conditions for extended periods may affect device reliability.



**Figure 5. Maximum Negative Overshoot Waveform**



**Figure 6. Maximum Positive Overshoot Waveform**

## OPERATING RANGES

**Commercial (C) Devices**

Ambient Temperature ( $T_A$ ) . . . . . 0°C to +70°C

**Industrial (I) Devices**

Ambient Temperature ( $T_A$ ) . . . . . -40°C to +85°C

**$V_{CC}$  Supply Voltages**

$V_{CC}$  for regulated voltage range . . . . . 3.0 V to 3.6 V

$V_{CC}$  for full voltage range . . . . . 2.7 V to 3.6 V

*Operating ranges define those limits between which the functionality of the device is guaranteed.*

## DC CHARACTERISTICS

## CMOS Compatible

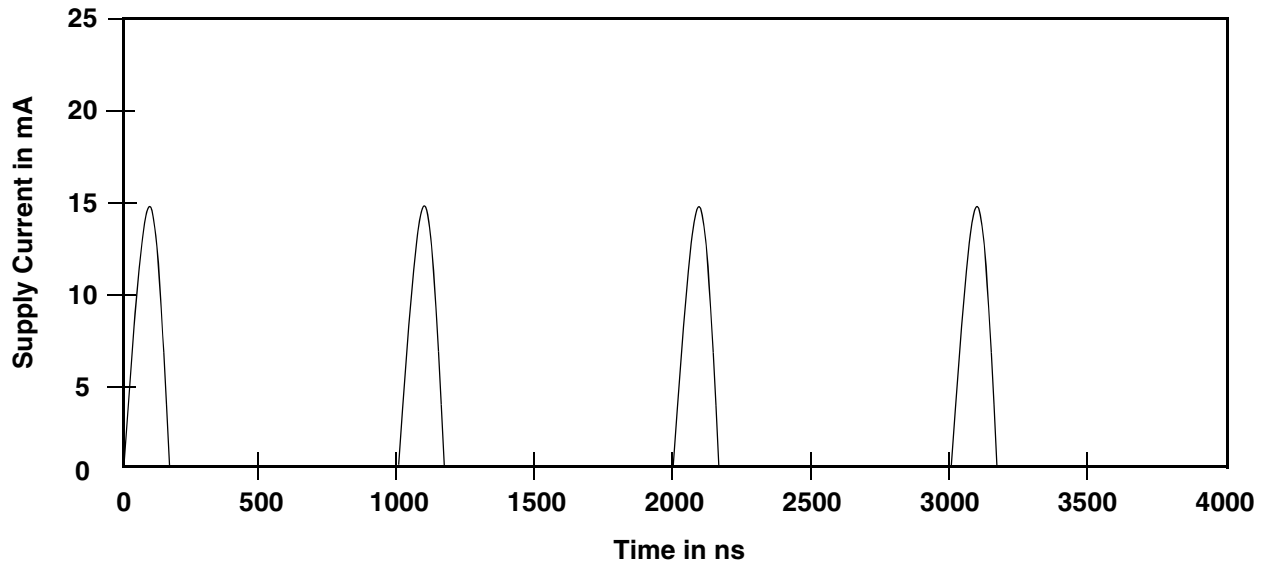
| Parameter Symbol | Description  | Test Conditions  | Min                  | Typ | Max       | Unit    |
|------------------|--|--|----------------------|-----|-----------|---------|
| $I_{LI}$         | Input Load Current                                       | $V_{IN} = V_{SS}$ to 5.5 V,<br>$V_{CC} = V_{CC\ max}$          |                      |     | $\pm 1.0$ | $\mu A$ |
| $I_{LIT}$        | A9 Input Load Current                                    | $V_{CC} = V_{CC\ max}$ ; A9 = 12.5 V                           |                      |     | 35        | $\mu A$ |
| $I_{LO}$         | Output Leakage Current                                   | $V_{OUT} = V_{SS}$ to 5.5 V,<br>$V_{CC} = V_{CC\ max}$         |                      |     | $\pm 1.0$ | $\mu A$ |
| $I_{CC1}$        | $V_{CC}$ Active Read Current<br>(Notes 1, 2)             | $CE\# = V_{IL}$ , $OE\# = V_{IH}$                              |                      | 30  | 50        | mA      |
| $I_{CC2}$        | $V_{CC}$ Active Write Current<br>(Notes 2, 4, 5)         | $CE\# = V_{IL}$ , $OE\# = V_{IH}$                              |                      | 20  | 30        | mA      |
| $I_{CC3}$        | $V_{CC}$ Standby Current (Note 2)                        | $CE\# = V_{CC} \pm 0.3\ V$                                     |                      | 1   | 5         | $\mu A$ |
| $I_{CC4}$        | Automatic Sleep Mode<br>(Notes 2, 3, 6)                  | $V_{IH} = V_{CC} \pm 0.3\ V$ ;<br>$V_{IL} = V_{SS} \pm 0.3\ V$ | $OE\# = V_{IH}$      | 1   | 5         | $\mu A$ |
|                  |  |  | $OE\# = V_{IL}$      | 8   | 20        |         |
| $V_{IL}$         | Input Low Voltage  |  | -0.5                 |     | 0.8       | V       |
| $V_{IH}$         | Input High Voltage                                       |  | $0.7 \times V_{CC}$  |     | 5.5       | V       |
| $V_{ID}$         | Voltage for Autoselect and<br>Temporary Sector Unprotect | $V_{CC} = 3.3\ V$  | 11.5                 |     | 12.5      | V       |
| $V_{OL}$         | Output Low Voltage                                       | $I_{OL} = 4.0\ mA$ , $V_{CC} = V_{CC\ min}$                    |                      |     | 0.45      | V       |
| $V_{OH1}$        | Output High Voltage                                      | $I_{OH} = -2.0\ mA$ , $V_{CC} = V_{CC\ min}$                   | $0.85 \times V_{CC}$ |     |           | V       |
| $V_{OH2}$        |  | $I_{OH} = -100\ \mu A$ , $V_{CC} = V_{CC\ min}$                | $V_{CC} - 0.4$       |     |           |         |
| $V_{LKO}$        | Low $V_{CC}$ Lock-Out Voltage<br>(Note 4)                |  | 2.3                  |     | 2.5       | V       |

**Notes:**

1. The  $I_{CC}$  current listed is typically less than 2 mA/MHz, with  $OE\#$  at  $V_{IH}$ . Typical  $V_{CC}$  is 3.0 V.
2. Maximum  $I_{CC}$  specifications are tested with  $V_{CC} = V_{CC\ max}$ .
3. The Automatic Sleep Mode current is dependent on the state of  $OE\#$ .
4.  $I_{CC}$  active while Embedded Erase or Embedded Program is in progress.
5. Automatic sleep mode enables the low power mode when addresses remain stable for  $t_{ACC} + 30\ ns$ . Typical sleep mode current is 200 nA.
6. Not 100% tested.

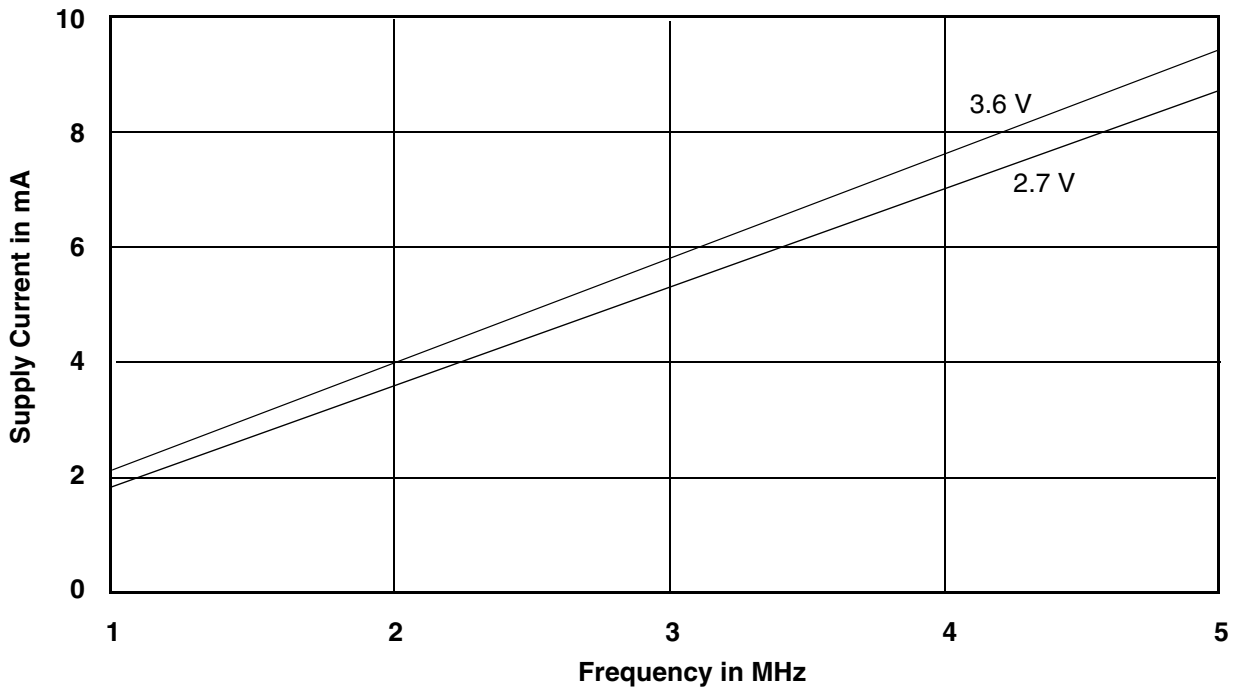
DC CHARACTERISTICS (Continued)

Zero Power Flash



Note: Addresses are switching at 1 MHz

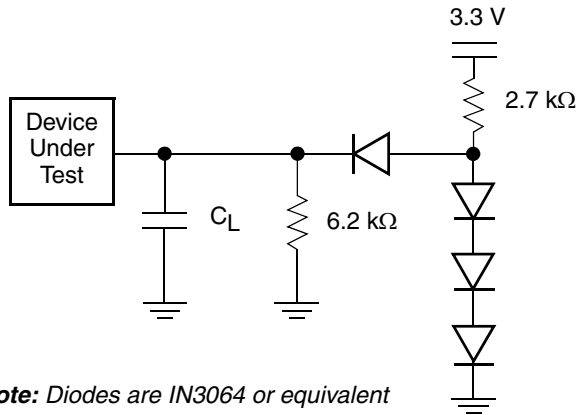
Figure 7.  $I_{CC1}$  Current vs. Time (Showing Active and Automatic Sleep Currents)



Note:  $T = 25^{\circ}C$

Figure 8. Typical  $I_{CC1}$  vs. Frequency

TEST CONDITIONS



Note: Diodes are IN3064 or equivalent

Figure 9. Test Setup

Table 12. Test Specifications

| Test Condition   | -65R       | -70R, -90 | Unit |
|--|------------|-----------|------|
| Output Load  | 1 TTL gate |           |      |
| Output Load Capacitance, $C_L$ (including jig capacitance) | 30         | 100       | pF   |
| Input Rise and Fall Times                                  | 5          |           | ns   |
| Input Pulse Levels   | 0.0–3.0    |           | V    |
| Input timing measurement reference levels                  | 1.5        |           | V    |
| Output timing measurement reference levels                 | 1.5        |           | V    |

KEY TO SWITCHING WAVEFORMS

| WAVEFORM | INPUTS                           | OUTPUTS                                      |
|----------|----------------------------------|--|
|          | Steady                           |  |
|          | Changing from H to L             |  |
|          | Changing from L to H             |  |
|          | Don't Care, Any Change Permitted | Changing, State Unknown                      |
|          | Does Not Apply                   | Center Line is High Impedance State (High Z) |

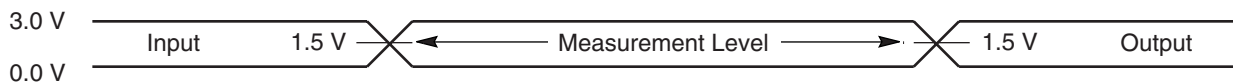


Figure 10. Input Waveforms and Measurement Levels

## AC CHARACTERISTICS

## Read Operations

| Parameter  |            | Description                      | Test Setup                                   |     | Speed Options |      |     | Unit |
|------------|------------|----------------------------------|--|-----|---------------|------|-----|------|
| JEDEC      | Std        |                                  |  |     | -65R          | -70R | -90 |      |
| $t_{AVAV}$ | $t_{RC}$   | Read Cycle Time                  |  | Min | 65            | 70   | 90  | ns   |
| $t_{AVQV}$ | $t_{ACC}$  | Address Access Time              | CE#=V <sub>IL</sub> ,<br>OE#=V <sub>IL</sub> | Max | 65            | 70   | 90  | ns   |
| $t_{ELQV}$ | $t_{CE}$   | Chip Enable to Output Delay      | OE#=V <sub>IL</sub>                          | Max | 65            | 70   | 90  | ns   |
|            | $t_{PACC}$ | Page Access Time                 |  | Max | 25            | 25   | 30  | ns   |
| $t_{GLQV}$ | $t_{OE}$   | Output Enable to Output Valid    |  | Max | 25            | 25   | 30  | ns   |
| $t_{EHQZ}$ | $t_{DF}$   | Chip Enable to Output High Z     |  | Max | 20            |      |     | ns   |
| $t_{GHQZ}$ | $t_{DF}$   | Output Enable to Output High Z   |  | Max | 20            |      |     | ns   |
|            | $t_{OEh}$  | Output Enable Hold Time (Note 1) | Read   |     | 0             |      |     | ns   |
|            |            |                                  | Toggle and Data# Polling                     |     | 10            |      |     | ns   |
| $t_{AXQX}$ | $t_{OH}$   | Output Hold Time from Addresses  |  | Min | 0             |      |     | ns   |

**Notes:**

1. Not 100% tested.
2. See Figure 9 and Table 12 for test specifications.

AC CHARACTERISTICS

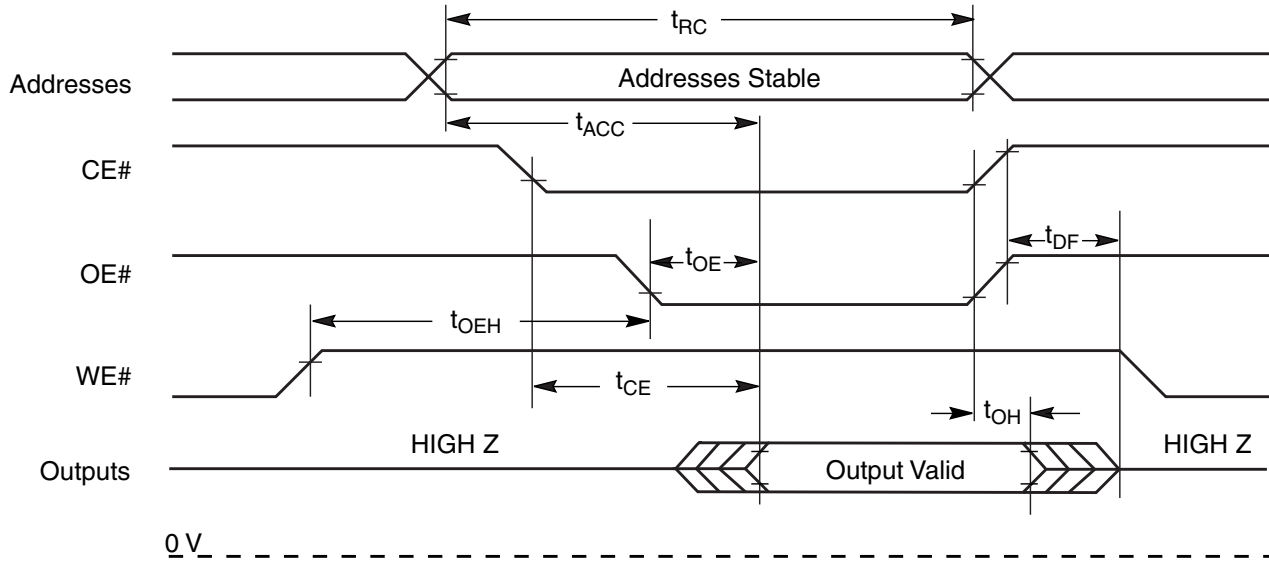
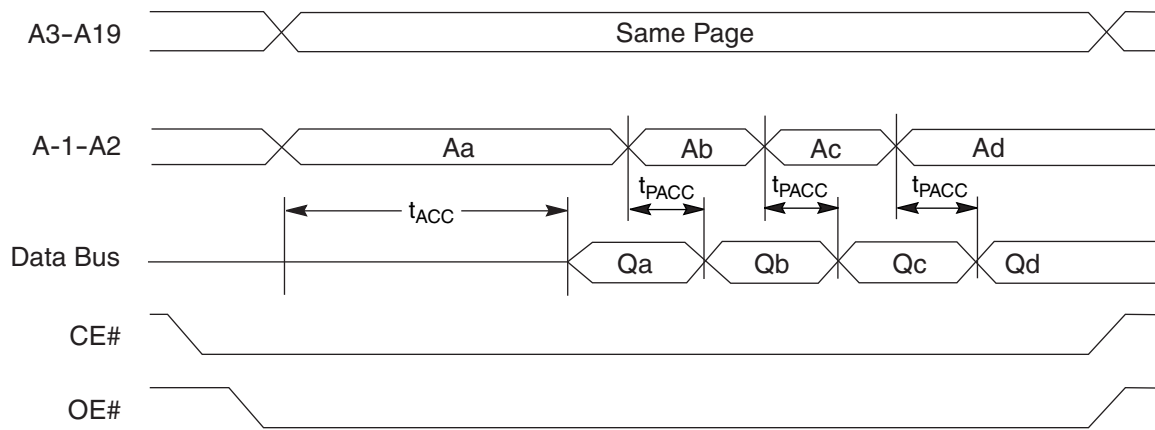


Figure 11. Conventional Read Operations Timings



Note: Word Configuration: Toggle A0, A1, A2. Byte Configuration: Toggle A-1, A0, A1, A2.

Figure 12. Page Read Timings



AC CHARACTERISTICS

Word/Byte Configuration (BYTE#)

| Parameter |                     | Description                           |     | Speed Options |      |     | Unit |
|-----------|---------------------|---------------------------------------|-----|---------------|------|-----|------|
| JEDEC     | Std                 |                                       |     | -65R          | -70R | -90 |      |
|           | $t_{ELFL}/t_{ELFH}$ | CE# to BYTE# Switching Low or High    | Max | 5             |      |     | ns   |
|           | $t_{FLQZ}$          | BYTE# Switching Low to Output HIGH Z  | Max | 25            | 25   | 30  | ns   |
|           | $t_{FHQV}$          | BYTE# Switching High to Output Active | Min | 65            | 70   | 90  | ns   |

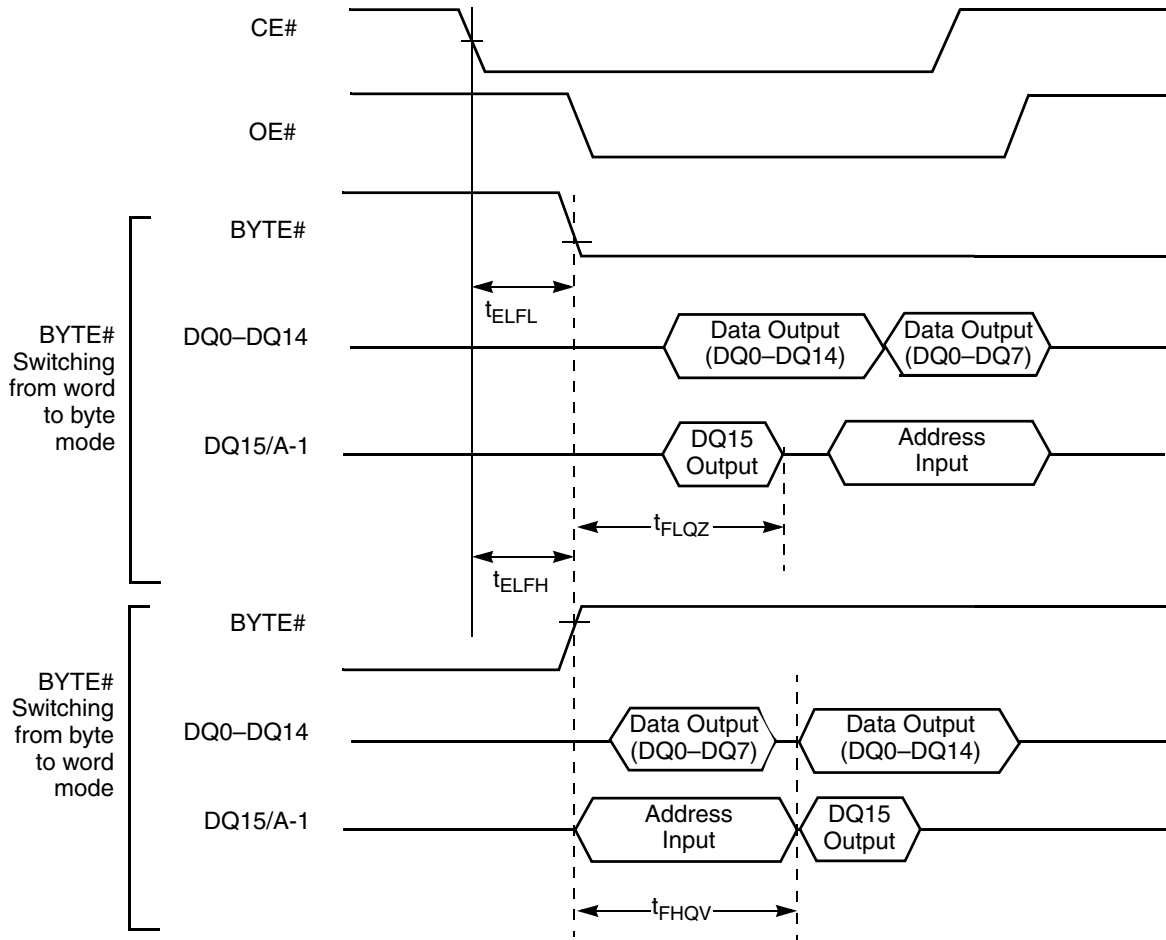
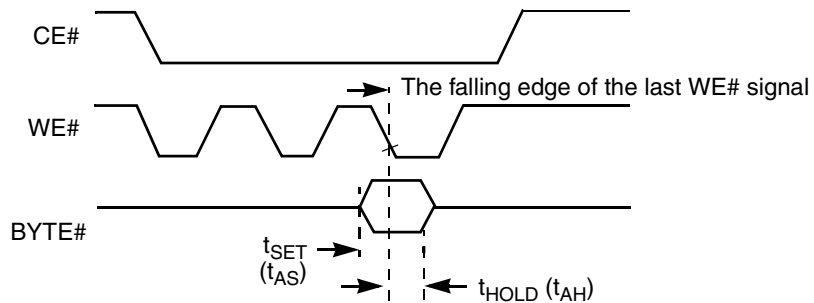


Figure 13. BYTE# Timings for Read Operations



Note: Refer to the Erase/Program Operations table for  $t_{AS}$  and  $t_{AH}$  specifications.

Figure 14. BYTE# Timings for Write Operations

## AC CHARACTERISTICS

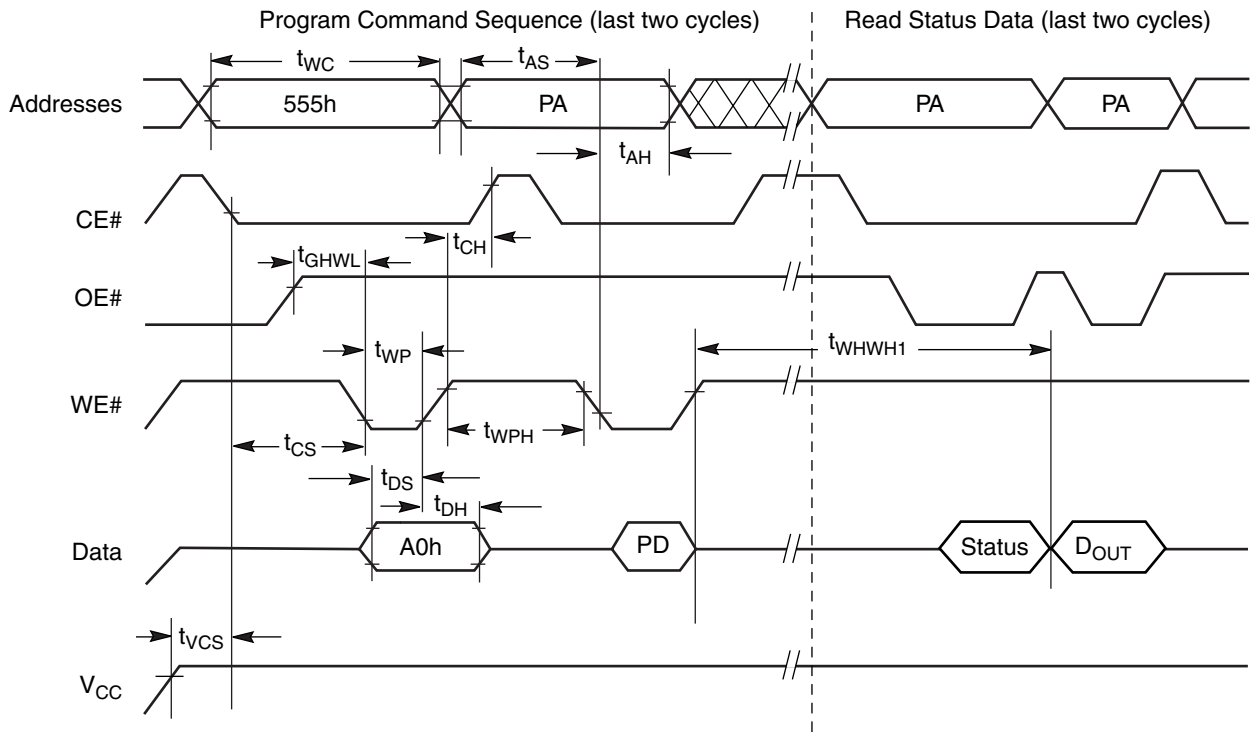
### Program/Erase Operations

| Parameter   |             | Description   |      | Speed Options |      |     | Unit    |         |
|-------------|-------------|---|------|---------------|------|-----|---------|---------|
| JEDEC       | Std         |   |      | -65R          | -70R | -90 |         |         |
| $t_{AVAV}$  | $t_{WC}$    | Write Cycle Time (Note 1)                             | Min  | 65            | 70   | 90  | ns      |         |
| $t_{AVWL}$  | $t_{AS}$    | Address Setup Time                                    | Min  | 0             |      |     | ns      |         |
| $t_{WLAX}$  | $t_{AH}$    | Address Hold Time                                     | Min  | 45            | 45   | 45  | ns      |         |
| $t_{DVWH}$  | $t_{DS}$    | Data Setup Time                                       | Min  | 35            | 35   | 45  | ns      |         |
| $t_{WHDX}$  | $t_{DH}$    | Data Hold Time  | Min  | 0             |      |     | ns      |         |
|             | $t_{OES}$   | Output Enable Setup Time                              | Min  | 0             |      |     | ns      |         |
| $t_{GHWL}$  | $t_{GHWL}$  | Read Recovery Time Before Write (OE# High to WE# Low) | Min  | 0             |      |     | ns      |         |
| $t_{ELWL}$  | $t_{CS}$    | CE# Setup Time  | Min  | 0             |      |     | ns      |         |
| $t_{WHEH}$  | $t_{CH}$    | CE# Hold Time   | Min  | 0             |      |     | ns      |         |
| $t_{WLWH}$  | $t_{WP}$    | Write Pulse Width                                     | Min  | 35            | 35   | 35  | ns      |         |
| $t_{WHWL}$  | $t_{WPH}$   | Write Pulse Width High                                | Min  | 30            |      |     | ns      |         |
| $t_{WHWH1}$ | $t_{WHWH1}$ | Programming Operation (Note 2)                        | Byte | Typ           |      |     | 7       | $\mu$ s |
|             |             |   | Word | Typ           |      |     | 9       |         |
| $t_{WHWH2}$ | $t_{WHWH2}$ | Sector Erase Operation (Note 2)                       | Typ  | 5             |      |     | sec     |         |
|             | $t_{VCS}$   | $V_{CC}$ Setup Time (Note 1)                          | Min  | 50            |      |     | $\mu$ s |         |

**Notes:**

1. Not 100% tested.
2. See the "Erase and Programming Performance" section for more information.

AC CHARACTERISTICS

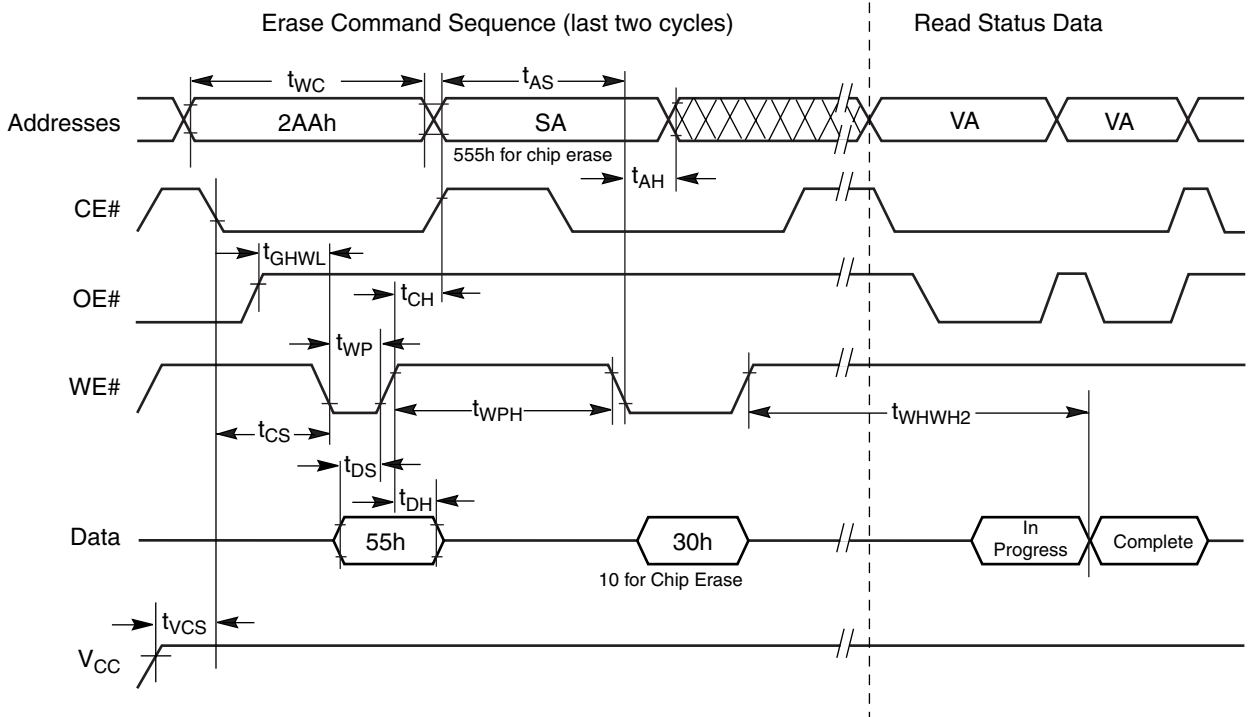


**Notes:**

1. PA = program address, PD = program data, D<sub>OUT</sub> is the true data at the program address.
2. Illustration shows device in word mode.

**Figure 15. Program Operation Timings**

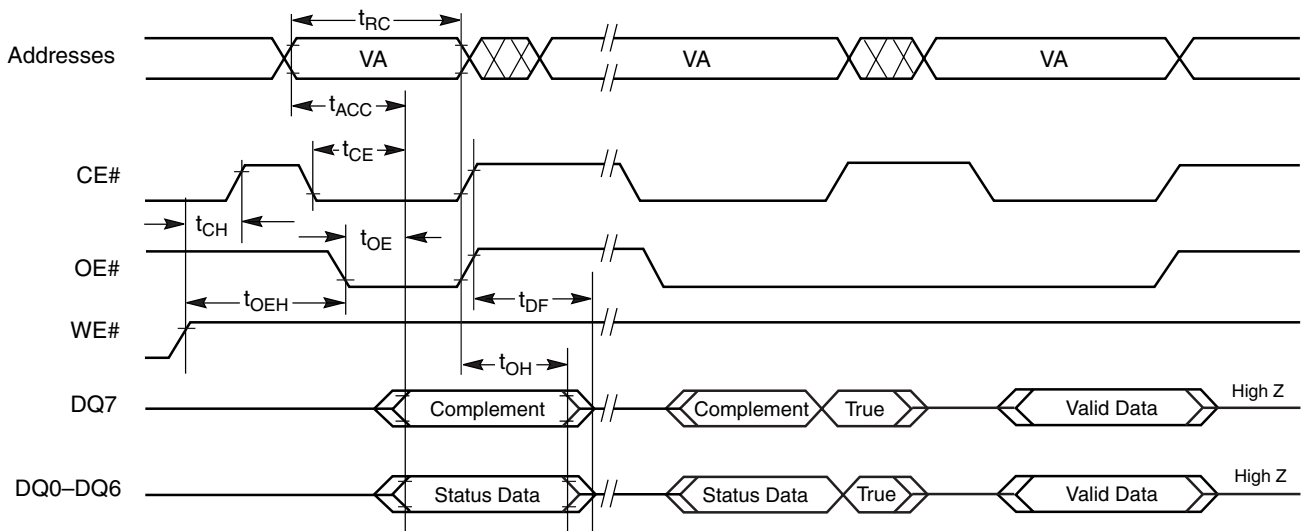
AC CHARACTERISTICS



Notes:

1. SA = sector address (for Sector Erase), VA = Valid Address for reading status data (see "Write Operation Status").
2. Illustration shows device in word mode.

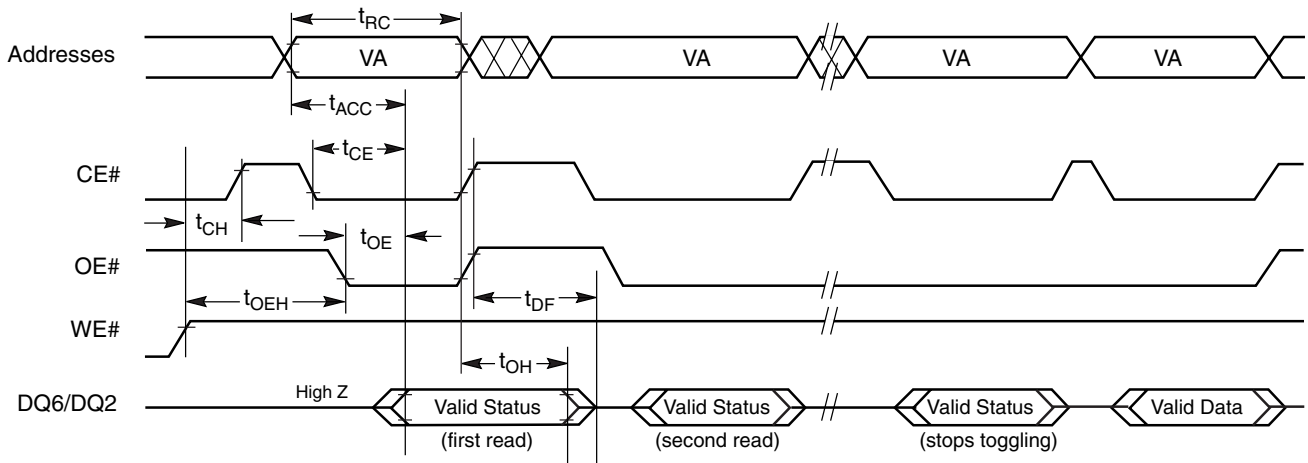
Figure 16. AC Waveforms for Chip/Sector Erase Operations



Note: VA = Valid address. Illustration shows first status cycle after command sequence, last status read cycle, and array data read cycle

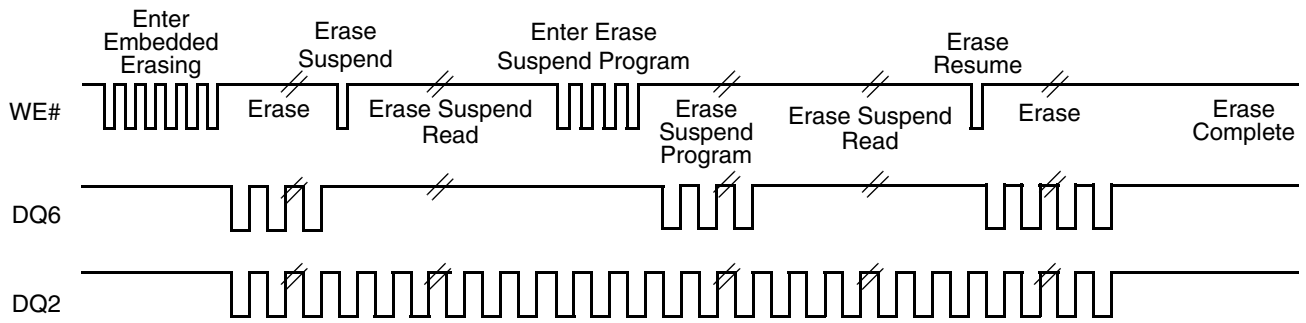
Figure 17. Data# Polling Timings (During Embedded Algorithms)

AC CHARACTERISTICS



**Note:** VA = Valid address; not required for DQ6. Illustration shows first two status cycle after command sequence, last status read cycle, and array data read cycle

**Figure 18. Toggle Bit Timings (During Embedded Algorithms)**



**Note:** The system may use CE# or OE# to toggle DQ2 and DQ6. DQ2 toggles only when read at an address within an erase-suspended sector.

**Figure 19. DQ2 vs. DQ6 for Erase and Erase Suspend Operations**

## AC CHARACTERISTICS

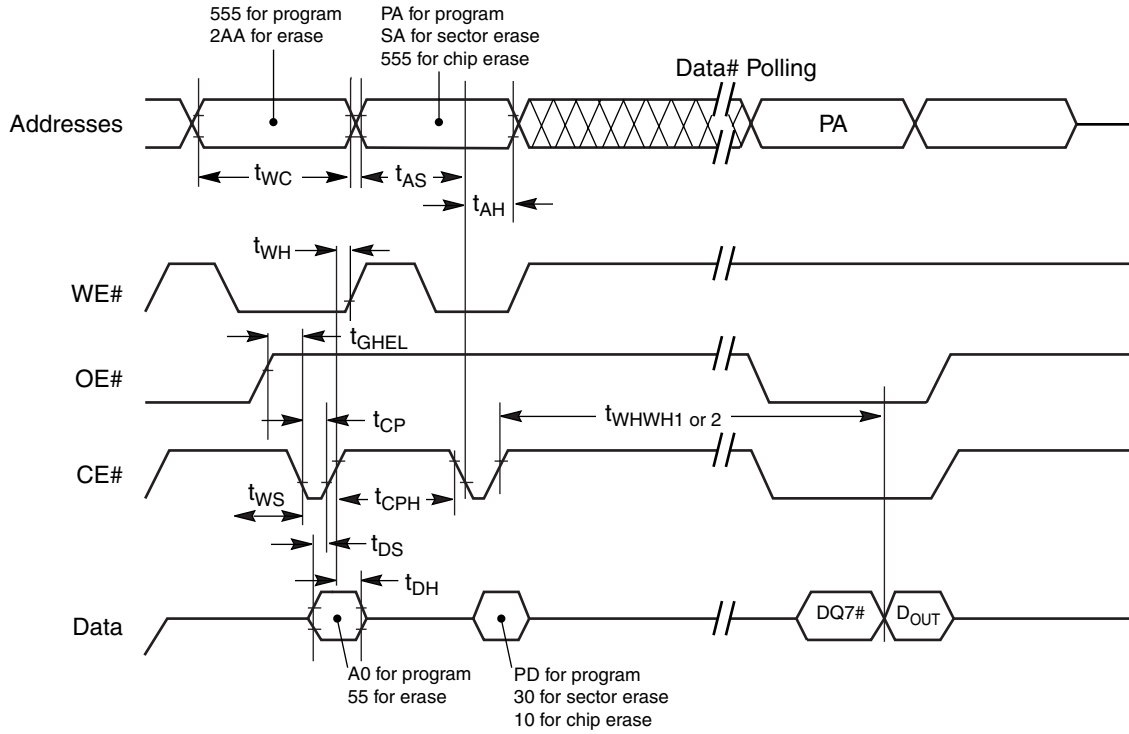
## Alternate CE# Controlled Erase/Program Operations

| Parameter   |             | Description   |      | Speed Options |      |     | Unit    |
|-------------|-------------|---|------|---------------|------|-----|---------|
| JEDEC       | Std         |   |      | -65R          | -70R | -90 |         |
| $t_{AVAV}$  | $t_{WC}$    | Write Cycle Time (Note 1)                             | Min  | 65            | 70   | 90  | ns      |
| $t_{AVEL}$  | $t_{AS}$    | Address Setup Time                                    | Min  | 0             |      |     | ns      |
| $t_{ELAX}$  | $t_{AH}$    | Address Hold Time                                     | Min  | 45            | 45   | 45  | ns      |
| $t_{DVEH}$  | $t_{DS}$    | Data Setup Time                                       | Min  | 35            | 35   | 45  | ns      |
| $t_{EHDx}$  | $t_{DH}$    | Data Hold Time  | Min  | 0             |      |     | ns      |
|             | $t_{OES}$   | Output Enable Setup Time                              | Min  | 0             |      |     | ns      |
| $t_{GHEL}$  | $t_{GHEL}$  | Read Recovery Time Before Write (OE# High to WE# Low) | Min  | 0             |      |     | ns      |
| $t_{WLEL}$  | $t_{WS}$    | WE# Setup Time  | Min  | 0             |      |     | ns      |
| $t_{EHWL}$  | $t_{WH}$    | WE# Hold Time   | Min  | 0             |      |     | ns      |
| $t_{ELEH}$  | $t_{CP}$    | CE# Pulse Width                                       | Min  | 35            | 35   | 35  | ns      |
| $t_{EHEL}$  | $t_{CPH}$   | CE# Pulse Width High                                  | Min  | 30            |      |     | ns      |
| $t_{WHWH1}$ | $t_{WHWH1}$ | Programming Operation (Note 2)                        | Byte | Typ           |      |     | $\mu$ s |
|             |             |   | Word | Typ           |      |     |         |
| $t_{WHWH2}$ | $t_{WHWH2}$ | Sector Erase Operation (Note 2)                       | Typ  | 5             |      |     | sec     |

**Notes:**

1. Not 100% tested.
2. See the "Erase and Programming Performance" section for more information.

AC CHARACTERISTICS



**Notes:**

1. PA = program address, PD = program data, DQ7# = complement of the data written to the device, D<sub>OUT</sub> = data written to the device.
2. Figure indicates the last two bus cycles of the command sequence.
3. Word mode address used as an example.

**Figure 20. Alternate CE# Controlled Write Operation Timings**

## ERASE AND PROGRAMMING PERFORMANCE

| Parameter                      |           | Typ (Note 1) | Max (Note 2) | Unit | Comments   |
|--------------------------------|-----------|--------------|--------------|------|--|
| Sector Erase Time              |           | 5            | 60           | s    | Excludes 00h programming prior to erasure (Note 4) |
| Chip Erase Time                |           | 40           |              | s    |  |
| Byte Programming Time          |           | 7            | 300          | μs   | Excludes system level overhead (Note 5)            |
| Word Programming Time          |           | 9            | 360          | μs   |  |
| Chip Programming Time (Note 3) | Byte Mode | 14           | 42           | s    |  |
|                                | Word Mode | 9            | 27           | s    |  |

**Notes:**

1. Typical program and erase times assume the following conditions: 25°C, 3.0 V  $V_{CC}$ , 1,000,000 cycles. Additionally, programming typicals assume checkerboard pattern.
2. Under worst case conditions of 90°C,  $V_{CC} = 2.7$  V, 1,000,000 cycles.
3. The typical chip programming time is considerably less than the maximum chip programming time listed, since most bytes program faster than the maximum program times listed.
4. In the pre-programming step of the Embedded Erase algorithm, all bytes are programmed to 00h before erasure.
5. System-level overhead is the time required to execute the two- or four-bus-cycle sequence for the program command. See Table 10 for further information on command definitions.
6. The device has a minimum erase and program cycle endurance of 1,000,000 cycles.

## LATCHUP CHARACTERISTICS

| Description   | Min     | Max              |
|---|---------|------------------|
| Input voltage with respect to $V_{SS}$ on all pins except I/O pins (including A9 and OE#) | -1.0 V  | 12.5 V           |
| Input voltage with respect to $V_{SS}$ on all I/O pins                                    | -1.0 V  | $V_{CC} + 1.0$ V |
| $V_{CC}$ Current  | -100 mA | +100 mA          |

Includes all pins except  $V_{CC}$ . Test conditions:  $V_{CC} = 3.0$  V, one pin at a time.

## TSOP AND SO PIN CAPACITANCE

| Parameter Symbol | Parameter Description   | Test Setup    |      | Typ | Max | Unit |
|------------------|-------------------------|---------------|------|-----|-----|------|
| $C_{IN}$         | Input Capacitance       | $V_{IN} = 0$  |      | 6   | 7.5 | pF   |
| $C_{OUT}$        | Output Capacitance      | $V_{OUT} = 0$ |      | 8.5 | 12  | pF   |
| $C_{IN2}$        | Control Pin Capacitance | $V_{IN} = 0$  | TSOP | 7.5 | 9   | pF   |
|                  |                         |               | SO   | 8   | 10  | pF   |

**Notes:**

1. Sampled, not 100% tested.
2. Test conditions  $T_A = 25^\circ\text{C}$ ,  $f = 1.0$  MHz.

## DATA RETENTION

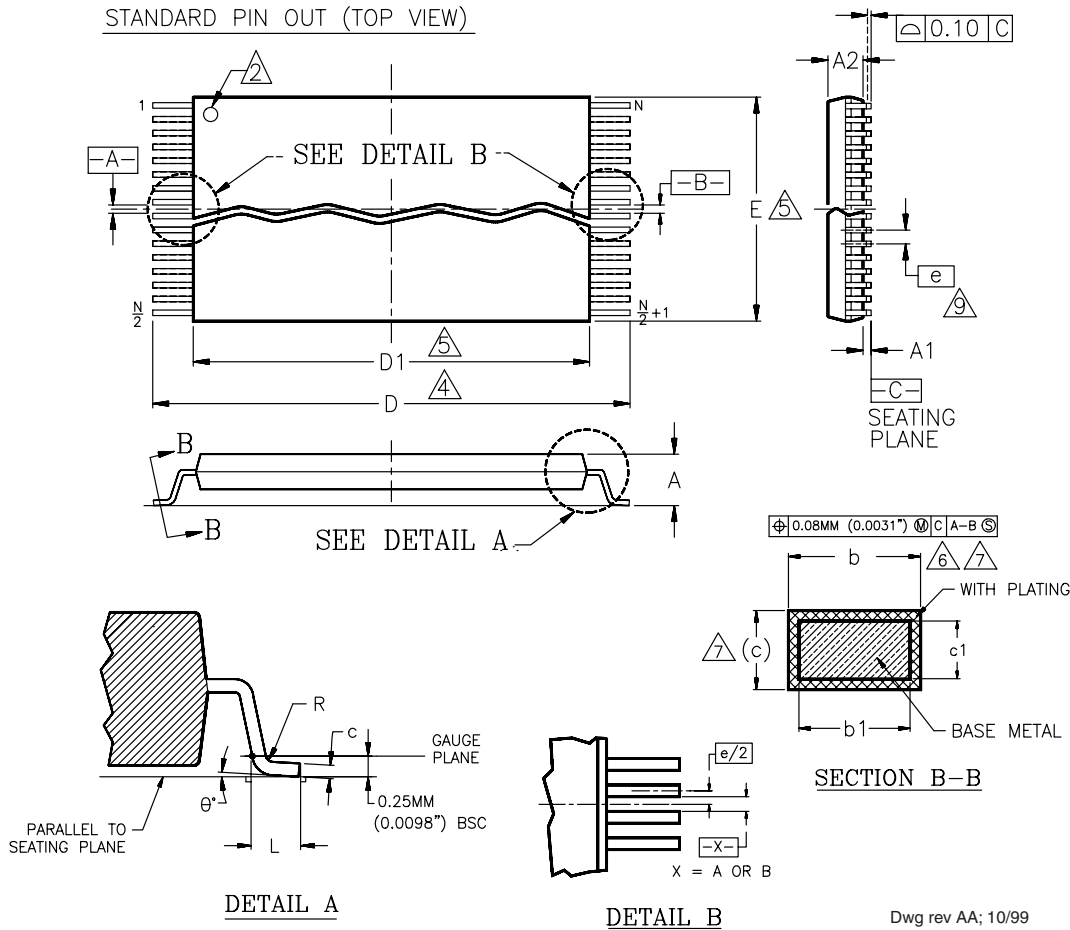
| Parameter                           | Test Conditions | Min | Unit  |
|-------------------------------------|-----------------|-----|-------|
| Minimum Pattern Data Retention Time | 150°C           | 10  | Years |
|                                     | 125°C           | 20  | Years |

\* For reference only. BSC is an ANSI standard for Basic Space Centering.



PHYSICAL DIMENSIONS

TS 048—48-Pin Standard Thin Small Outline Package



| Package | TS 48         |       |       |
|---------|---------------|-------|-------|
| Jedec   | MO-142 (B) DD |       |       |
| Symbol  | MIN           | NOM   | MAX   |
| A       | —             | —     | 1.20  |
| A1      | 0.05          | —     | 0.15  |
| A2      | 0.95          | 1.00  | 1.05  |
| b1      | 0.17          | 0.20  | 0.23  |
| b       | 0.17          | 0.22  | 0.27  |
| c1      | 0.10          | —     | 0.16  |
| c       | 0.10          | —     | 0.21  |
| D       | 19.80         | 20.00 | 20.20 |
| D1      | 18.30         | 18.40 | 18.50 |
| E       | 11.90         | 12.00 | 12.10 |
| e       | 0.50 BASIC    |       |       |
| L       | 0.50          | 0.60  | 0.70  |
| θ       | 0°            | 3°    | 5°    |
| R       | 0.08          | —     | 0.20  |
| N       | 48            |       |       |

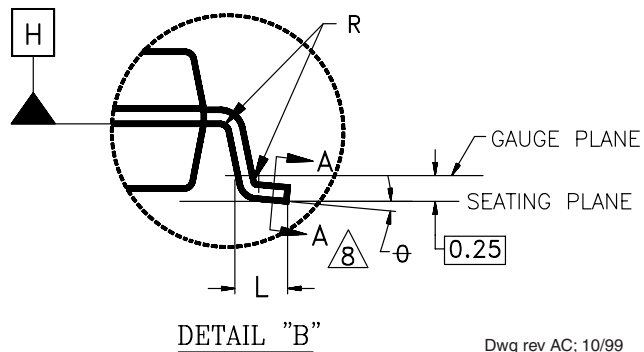
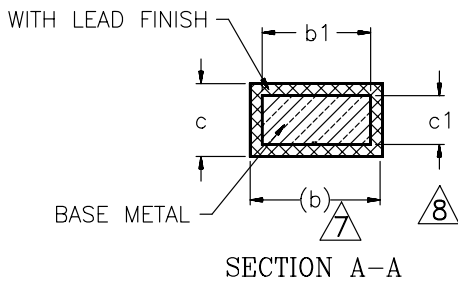
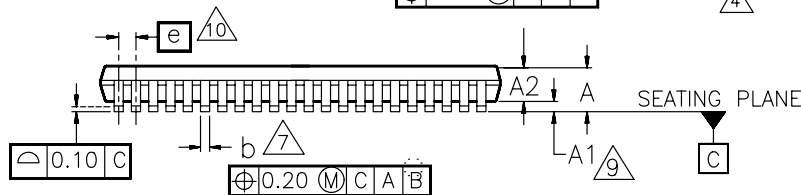
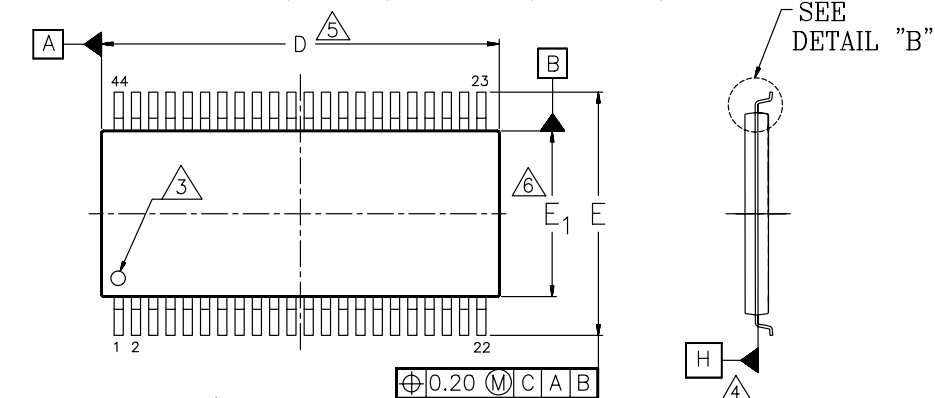
NOTES:

- ① CONTROLLING DIMENSIONS ARE IN MILLIMETERS (mm). (DIMENSIONING AND TOLERANCING CONFORMS TO ANSI Y14.5M-1982)
- ② PIN 1 IDENTIFIER FOR STANDARD PIN OUT (DIE UP).
- ③ PIN 1 IDENTIFIER FOR REVERSE PIN OUT (DIE DOWN); INK OR LASER MARK.
- ④ TO BE DETERMINED AT THE SEATING PLANE [-C-]. THE SEATING PLANE IS DEFINED AS THE PLANE OF CONTACT THAT IS MADE WHEN THE PACKAGE LEADS ARE ALLOWED TO REST FREELY ON A FLAT HORIZONTAL SURFACE.
- ⑤ DIMENSIONS D1 AND E DO NOT INCLUDE MOLD PROTRUSION. ALLOWABLE MOLD PROTRUSION IS 0.15mm (0.0059") PER SIDE.
- ⑥ DIMENSION b DOES NOT INCLUDE DAMBAR PROTRUSION. ALLOWABLE DAMBAR PROTRUSION SHALL BE 0.08mm (0.0031") TOTAL IN EXCESS OF b DIMENSION AT MAX. MATERIAL CONDITION. MINIMUM SPACE BETWEEN PROTRUSION AND AN ADJACENT LEAD TO BE 0.07mm (0.0028").
- ⑦ THESE DIMENSIONS APPLY TO THE FLAT SECTION OF THE LEAD BETWEEN 0.10mm (0.0039") AND 0.25mm (0.0098") FROM THE LEAD TIP.
- ⑧ LEAD COPLANARITY SHALL BE WITHIN 0.10mm (0.004") AS MEASURED FROM THE SEATING PLANE.
- ⑨ DIMENSION "e" IS MEASURED AT THE CENTERLINE OF THE LEADS.

PHYSICAL DIMENSIONS

SO 044—44-Pin Small Outline Package, Standard Pinout

STANDARD FORM (DIE UP) PINOUT (TOP VIEW)



Dwg rev AC; 10/99

| PACKAGE | SO 044        |       |       |
|---------|---------------|-------|-------|
| JEDEC   | MO-180 (A) AA |       |       |
| SYMBOL  | MIN           | NOM   | MAX   |
| A       | —             | —     | 2.80  |
| A1      | 0.15          | 0.23  | 0.35  |
| A2      | 2.17          | 2.30  | 2.45  |
| b       | 0.35          | —     | 0.50  |
| b1      | 0.35          | 0.40  | 0.45  |
| c       | 0.10          | —     | 0.21  |
| c1      | 0.10          | 0.15  | 0.18  |
| D       | 28.00         | 28.20 | 28.40 |
| E       | 15.70         | 16.00 | 16.30 |
| E1      | 13.10         | 13.30 | 13.50 |
| e       | 1.27 BSC      |       |       |
| L       | 0.60          | 0.80  | 1.00  |
| R       | 0.09          | —     | —     |
| θ       | 0°            | 4°    | 8°    |

NOTES:

- CONTROLLING DIMENSIONS ARE IN MILLIMETERS (mm).
- DIMENSIONING AND TOLERANCING CONFORM TO ASME Y14.5M-1994.
- PIN 1 IDENTIFIER FOR STANDARD FORM (DIE UP) OR REVERSE FORM (DIE DOWN) PINOUTS.
- DATUMS A AND B AND DIMENSIONS D AND E1 ARE DETERMINED AT DATUM H.
- DIMENSION "D" DOES NOT INCLUDE MOLD FLASH, PROTUSIONS OR GATE BURRS. MOLD FLASH, PROTUSIONS OR GATE BURRS SHALL NOT EXCEED 0.15 mm PER END.
- DIMENSION "E1" DOES NOT INCLUDE INTERLEAD FLASH OR PROTRUSION. INTERLEAD FLASH OR PROTRUSION SHALL NOT EXCEED 0.25 mm PER SIDE.
- DIMENSION b DOES NOT INCLUDE DAMBAR PROTRUSION/INTRUSION. ALLOWABLE DAMBAR PROTRUSION SHALL NOT EXCEED 0.15 mm PER SIDE. DAMBAR INTRUSION SHALL NOT REDUCE DIMENSION b BY MORE THAN 0.07 mm AT LEAST MATERIAL CONDITION.
- THESE DIMENSIONS APPLY TO THE FLAT SECTION OF THE LEAD BETWEEN 0.10 mm AND 0.25 mm FROM THE LEAD TIPS.
- A1 IS DEFINED AS THE DISTANCE FROM THE SEATING PLANE TO THE LOWEST POINT OF THE PACKAGE.
- DIMENSION "e" IS MEASURED AT THE CENTERLINE OF THE LEADS.
- LEAD COPLANARITY SHALL BE WITHIN 0.10 mm AS MEASURED FROM THEIR SEATING PLANE.

**REVISION SUMMARY****Revision A (August 1998)**

Initial release.

**Revision A+1 (September 1998)****Sector Protection/Unprotection**

Added reference to Temporary Unprotect Enable/Disable command sequence.

**Common Flash Memory Interface (CFI)**

Deleted reference to upper address bits in word mode.

**Revision B (January 1999)****Ordering Information**

Deleted commercial temperature rating.

**DC Characteristics**

Corrected  $I_{CC1}$  test condition for OE# to  $V_{IH}$ .

**Revision B+1 (February 1999)****DC Characteristics**

Replaced TBDs for  $I_{CC4}$  with specifications.

**Revision B+2 (March 5, 1999)****Distinctive Characteristics**

In the first subbullet under the Flexible Sector Architecture bullet, deleted the reference to “one 8 Kbyte” sector.

**Revision B+3 (May 14, 1999)****Global**

Deleted the 60R speed option and added the 65R speed option.

**Common Flash Memory Interface (CFI)**

Corrected the data for the following CFI hex addresses: 38, 39, 3C, 4C.

**Absolute Maximum Ratings**

Corrected the maximum rating for all other pins to +5.5 V.

**Revision B+4 (June 25, 1999)**

Changed data sheet status to preliminary. Deleted the 70 ns, full voltage range speed option.

**Revision B+5 (July 26, 1999)****Global**

Added the reverse pinout SO package. Deleted the TSOP package.

**Physical Dimensions**

Restored section.

**Revision B+6 (September 2, 1999)****Connection Diagrams**

Corrected the pinouts of pins 1, 2, 43, and 44 on the reverse SO diagram.

**Revision B+7 (February 4, 2000)****Global**

Added 48-pin TSOP.

**Revision C (February 21, 2000)****Global**

The “preliminary” designation has been removed from the document. Parameters are now stable, and only speed, package, and temperature range combinations are expected to change in future data sheet revisions.

Added dash to ordering part numbers.

**Revision C+1 (June 20, 2000)****Global**

Deleted the SOR44 package. Deleted references to top boot configuration.

**Product Selector Guide, Ordering Information**

Added -90R speed option.

**Revision C+2 (June 28, 2000)****Command Definitions**

Command Definitions table: Corrected address in the sixth cycle of the chip erase command sequence from 2AA to AAA.

**Revision C+3 (November 14, 2000)**

Added table of contents.

**Revision C+4 (June 12, 2002)****Global**

Deleted references to hardware reset (RESET#) input. Added reverse pinout SO package. Deleted 90R speed option.

**TSOP and SO Pin Capacitance**

Added TSOP pin capacitance.

**Revision C+5 (June 10, 2004)****Ordering Information**

Added Pb-free package OPNs

**Revision C+6 (February 16, 2006)****Global**

Deleted 120 ns speed option.

**Revision C7 (May 9, 2006)**

Added migration and obsolescence information.

**Colophon**

The products described in this document are designed, developed and manufactured as contemplated for general use, including without limitation, ordinary industrial use, general office use, personal use, and household use, but are not designed, developed and manufactured as contemplated (1) for any use that includes fatal risks or dangers that, unless extremely high safety is secured, could have a serious effect to the public, and could lead directly to death, personal injury, severe physical damage or other loss (i.e., nuclear reaction control in nuclear facility, aircraft flight control, air traffic control, mass transport control, medical life support system, missile launch control in weapon system), or (2) for any use where chance of failure is intolerable (i.e., submersible repeater and artificial satellite). Please note that Spansion will not be liable to you and/or any third party for any claims or damages arising in connection with above-mentioned uses of the products. Any semiconductor devices have an inherent chance of failure. You must protect against injury, damage or loss from such failures by incorporating safety design measures into your facility and equipment such as redundancy, fire protection, and prevention of over-current levels and other abnormal operating conditions. If any products described in this document represent goods or technologies subject to certain restrictions on export under the Foreign Exchange and Foreign Trade Law of Japan, the US Export Administration Regulations or the applicable laws of any other country, the prior authorization by the respective government entity will be required for export of those products

**Trademarks**

Copyright © 2004–2006 Advanced Micro Devices, Inc. All rights reserved.

AMD, the AMD logo, and combinations thereof are registered trademarks of Advanced Micro Devices, Inc.

ExpressFlash is a trademark of Advanced Micro Devices, Inc.

Product names used in this publication are for identification purposes only and may be trademarks of their respective companies.